

Alias



TT2 high - 638

Two-seater sofa with high back in CFC free expanded polyurethane foam with steel inlay and seat shell in solid polyurethane, internal void injected with CFC free polyurethane foam and steel inlay. Legs in die-cast polished aluminium. Seat and back with removable Kvadrat® fabric in a range of colours or in leather.



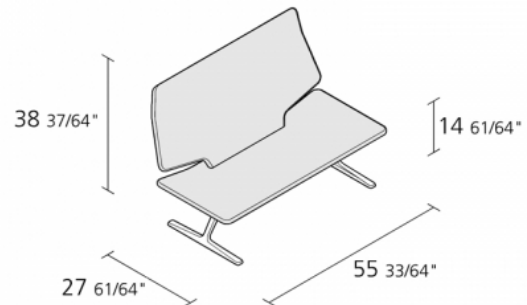
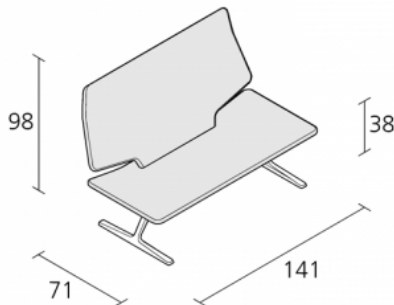


design
Alfredo Häberli

The T-shaped frame, in die-cast aluminium, is the key aspect of this design. It has inspired the name of this collection. A solid shell covered with flexible density polyurethane foam gives a soft, compact seat. Every detail is considered so that fabric and leather covers are completely removable.

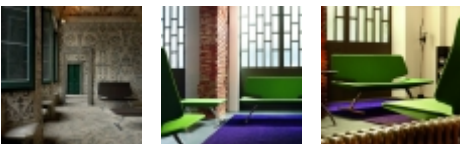
The TT system includes single, 2-seater and 3-seater sofas without back, or with high or low back, all characterized by an essential shape and harmonic proportion. While instantly suited to contract furnishings, these products (small sofas, armchairs, and padded benches and stools) are also perfect for contemporary domestic interiors where functions are often combined and transformed.

Dimension



Year warranty: 10 years
Production time: weeks
Fire-retardancy
Removable covers
Boxes number: 2
Max.number pieces per a box: 1
Volume in m³: 0,636
Gross weight in Kg: 55

Gallery

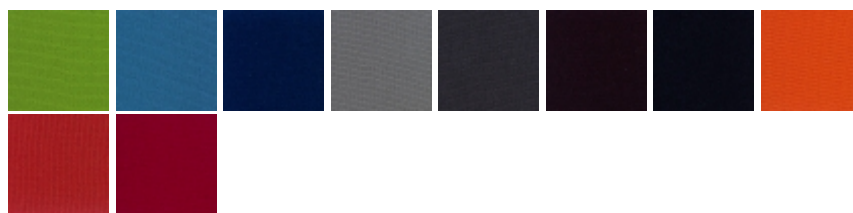


References

Camper

Finiture

"tempo" fabric



"tonus" fabric



leather

