

Alias



eleven - 862

Three-seater sofa with die-cast aluminium legs and steel frame with elastic belts. Seat cushion, back and arms in polyurethane covered by fabric or leather.



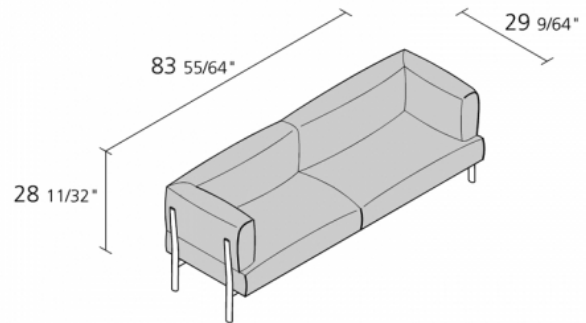
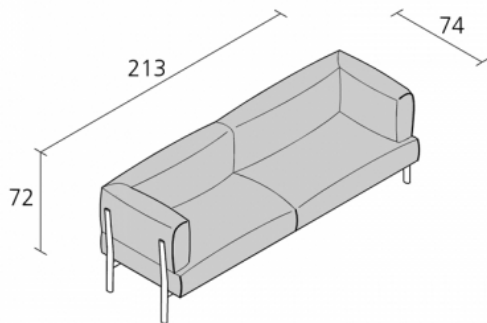


design
PearsonLloyd

Compact volumes. Essential clean-cut lines. One distinctive central feature: aluminium leg to which back and armrests cushions are anchored. Upholstered products enter the Alias world with a technological spirit in keeping with the personality of the brand. A system of one, two and three-seater sofa elements designed by PearsonLloyd, the angular elegance of eleven provides the ideal solution for both domestic interiors and communal spaces.

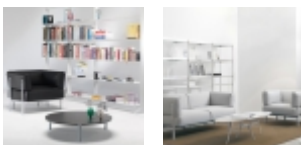
The slender legs, produced in cast aluminium and enamelled in various colours, are the unmistakable feature of each seating element in the eleven collection. The steel frame is strung with elastic webbing to guarantee maximum comfort and supports the seat, back and armrests cushions, which are formed in varying densities of polyurethane. Upholstery is available in fabric or leather with a wide variety of colours and materials to choose from. Alias suggests a selection of possible frame finish and upholstery combinations, providing contemporary inspirations to enhance this design project.

Dimension



Year warranty: 10 years
Production time: weeks
Fire-retardancy
Recyclable
Removable covers
Boxes number: 1
Max.number pieces per a box: 1
Volume in m³: 1,408
Gross weight in Kg: 90

Gallery



Finiture

stove enamelled aluminium



fabrics Kvadrat® H

Hot Pause

fabrics Kvadrat® S

Steelcut Steelcut Trio

fabrics Camira® C

Urban Plus Xtreme Plus

leather Penelope Oggi®

Nuvola

leather Stolz®

Vegetal