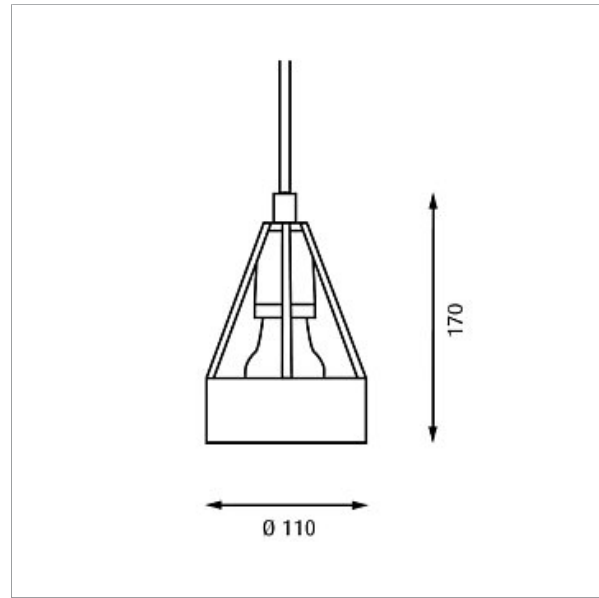


Pakhus



Design: Erik Møllers Tegnestue A/S

Concept: The fixture is an example of minimalistic lighting technology, with a primary focus on pointshaped light sources. The anti-glare ring eliminates direct glare from the focal point of the light source, while permitting optimal light distribution both upward and downward.

Finish: White, powder coated.

Material: Anti glare ring: Extruded steel.

Mounting: Suspension type: Cable 3x0,75mm². Canopy: Yes. Cable length: 3m.

Weight: Max. 1kg.

Class: Ingress protection IP20. Electric shock protection I w. ground.

Product code	Light source	Finish	Cable type
WA-P	1x75W Clear E27	WHT	WHT TEX

Specification notes
The innovation of light sources is ongoing. Consequently we only inform about the max. wattages. On www.louispoulsen.com we update a list of recommendable light sources.

**louis
poulsen**