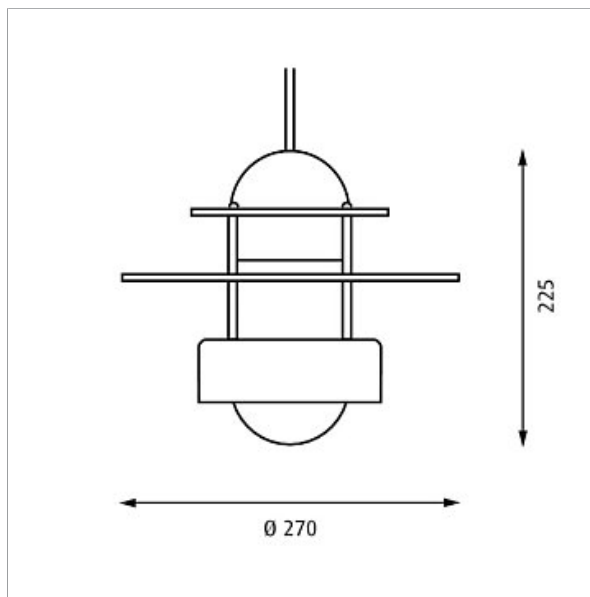


Albertslund Pendant



Design: Jens Møller-Jensen

Concept: The fixture provides characteristic symmetrical and functional lighting. The horizontal ring reflects the light downwards, but its position also allows some light to slip past and illuminate the ceiling. The anti-glare ring prevents from horizontal glare, and the diffuser is available either as clear or white opal glass, depending on the desired light source.

Finish: Galvanized, grey or white, powder coated.

Material: Enclosure: Clear glass or partly frosted glass. Saturn ring: Punched aluminium or galvanized, punched steel. Anti glare ring: Spun aluminium or galvanized, extruded steel. Housing: Die cast aluminium. Top: Die cast aluminium.

Mounting: Suspension type: Cable 3x0,75mm². Canopy: Yes. Cable length: 3m.

Weight: Max. 3kg.

Class: Ingress protection IP20. Electric shock protection I w. ground.

Product code	Light source	Finish	Shield/Diffuser	Cable type
ORB-P	1x18W TC-TEL GX24q-2 HF 1x100W E27	GALV GRLY WHI	CLEAR PARTI FROSTED	WHT TEX

Specification notes

Clear glass diffuser is only available with 100W E27. Partly frosted glass is only available with 18W TC-TEL. The innovation of light sources is ongoing. Consequently we only inform about the max. wattages. On www.louispuulsen.com we update a list of recommendable light sources.