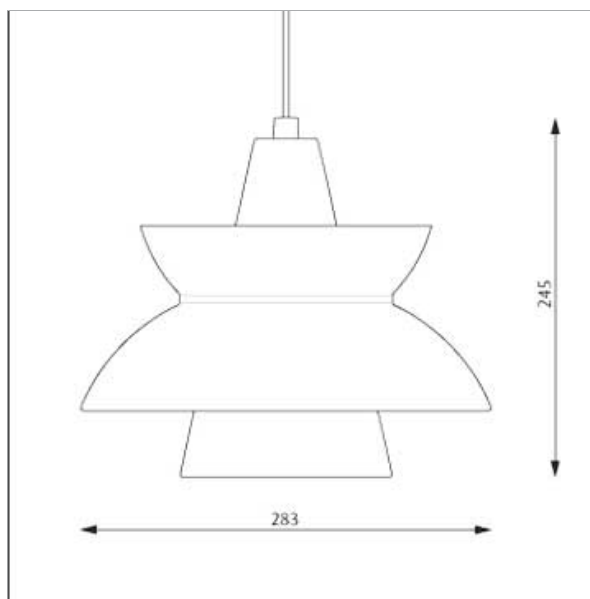


Doo-Wop



Design: Louis Poulsen Lighting A/S in cooperation with the Navy Buildings Department

Concept: The fixture primarily provides a downward directed soft light by means of the white lacquered inner conical reflector. The outer reflector, the main shade, contributes to directing the light up- and downwards, while at the same time spreading the soft diffuse light. The inside of the main shade is illuminated through an opening in the inner conical reflector.

Finish: White, Dark grey, Red, Green, Blue powder coated or Brass.

Material: Shade: Spun aluminium or spun brass. Suspension: Spun aluminium. Struts: Stainless steel.

Mounting: Suspension type: Cable 2x0,75mm². Canopy: Yes. Cable length: 3m.

Weight: Max. 1,5Kg.

Class: Ingress protection IP20. Electric shock protection II.

Product code	Light source	Finish
DOO-WOP-P	1x60W Clear E27	BLUE BRASS DARK GREY GREEN RED WHI

Specification notes
The innovation of the LED technology is constant. The specifications mentioned are based on present technology. Please find updated info on products on our website www.louispoulsen.com.

Info notes
Please note that the brass surface is untreated. This means that the surface finish will change and achieve patina over time. This process might have begun already during stocking/ transportation when the product is delivered.

**louis
poulsen**