



**Weblink**  
1397

**Project page**  
322

Private residence at Løvenborg, Copenhagen, Denmark. Photo: Clearlight

**Design**  
Poul Henningsen

**Concept**  
PH 3/2 Pendant provides soft general lighting. PH 3/2 is designed on the principle of reflecting multi-shade system, creating harmonious and glare-free lighting. The shade design is based on a logarithmic spiral, with the centre of the light source placed in the spiral's focal point.

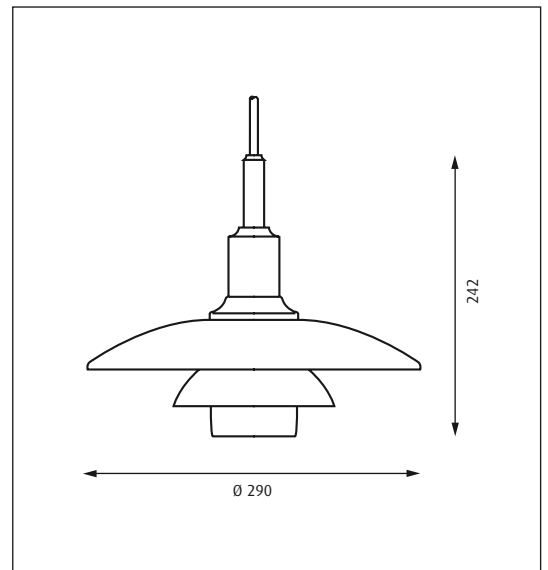
**Finish**  
White opal glass. High lustre chrome plated or black chrome plated.

**Material**  
Shades: Mouth-blown white opal glass. Suspension: High lustre chrome plated or black chrome plated, spun brass.

**Mounting**  
Suspension type: Cable 3x0.75mm<sup>2</sup>. Canopy: Yes. Cable length: 3m.

**Weight**  
Max. 1.5kg.

**Class**  
Ingress protection IP20. Electric shock protection I w. ground. ⚡



| Product code | Light source          | Finish   | Cable type |
|--------------|-----------------------|--|------------|
| PH32-P       | 1x75W A60 Frosted E27 | HIGH LUSTRE CHROME PLATED<br>BLACK CHROME PLATED | BLK TEX    |

Information:  
Find energy-saving alternative light sources on [www.louispoulsen.com](http://www.louispoulsen.com).



Page 149



Page 94



Page 125



Page 124