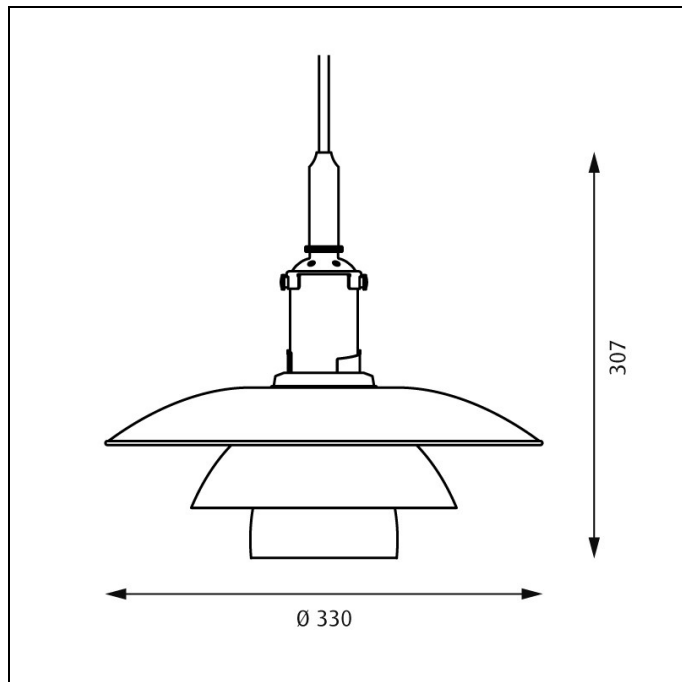


PH 3½-3 Copper Pendant



Design Poul Henningsen

Concept The fixture is 100% glare-free, with a design based on the principle of a reflective three-shade system, which directs most of the light downwards. The top shade is made of copper with a white inner surface that ensures gentle, downward light distribution. The two opal glass shades provide a larger lighting surface to make more efficient use of the light source. The glass shades are polished on the outside and matt on the inside. The downward light is both soft and pleasant.

Finish Polished copper. White opal glass.

Material Copper. Top shade: deep drawn copper. Inner shade: Spun aluminium. Middle and lower shade: Mouth-blown white opal glass. Shade holder: Copper plated cast brass.

Mounting Suspension type: Cable 2 x 0.75 mm². Canopy: Yes. Cable length: 3 m.

Weight Max. 2.1 kg

Class Ingress protection IP20. Electric shock protection Cl. II

Product Code	Light source	Finish	Cable type
PH3.5-C-P	1x100W E27	COPPER	BLK TEX

Info notes

The innovation of light sources is ongoing. Consequently we only inform about the max. wattages. On www.louispoulsen.com we update a list of recommendable light sources.