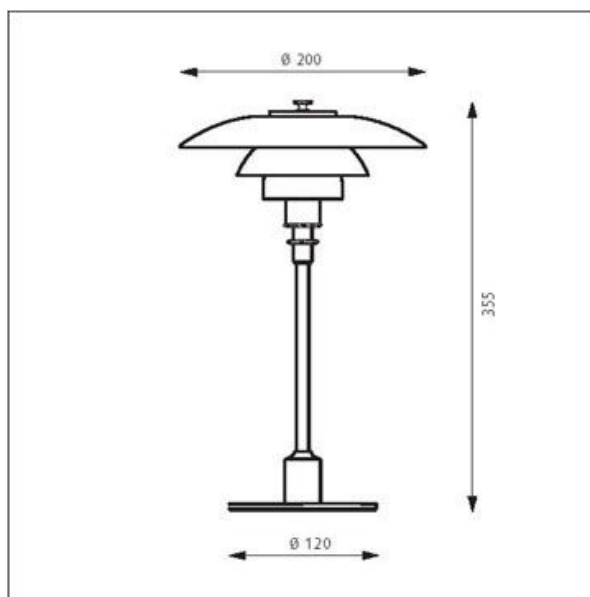


PH 2/1 Table



Design: Poul Henningsen

Concept: The fixture provides soft lighting. PH 2/1 is designed on the principle of a reflecting multi-shade system, creating harmonious and glare-free lighting. The shade design is based on a logarithmic spiral, with the centre of the light source placed in the spiral

Finish: White opal glass. High lustre chrome plated.

Material: Shades: Mouth-blown white opal glass. Top plate: High lustre chrome plated, machined brass. Base: High lustre chrome plated, brass. Stem: High lustre chrome plated, brass.

Mounting: Cable type: Vinyl cord with plug. Cable length: 1,75m. Light control: In-line switch on cord.

Weight: Max. 1,5kg.

Class: Ingress protection IP20. Electric shock protection II w/o ground.

Product code	Light source	Finish
PH21-T	1x33W QT-ax 14 ECO G9	HIGH LUSTRE CHROME PLATED

Info notes
Find energy saving alternative light sources on www.louispoulsen.com

**louis
poulsen**