



Spowers Architects. Perth, Australia. Architect: Spowers Architects

**Weblink**  
1432

**Design**  
Poul Henningsen

**Concept**  
PH 4½-3½ Glass Floor provides soft lighting. The PH 4½ family is designed on the principle of a reflecting multi-shade system, producing harmonious and glare-free lighting. The shade design is based on a logarithmic spiral, with the centre of the light source placed in the spiral's focal point.

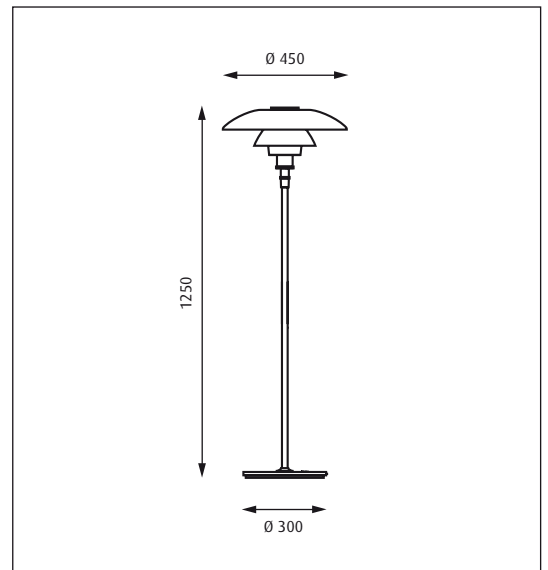
**Finish**  
White opal glass. High lustre chrome plated.

**Material**  
Shades: Mouth-blown white opal glass. Anti glare ring: Purple, spun aluminium. Top plate: High lustre chrome plated, spun brass. Base: High lustre chrome plated, spun brass. Stem: High lustre chrome plated, steel.

**Mounting**  
Cable type: Vinyl cord with plug. Cable length: 3.3m. Light control: Foot switch on cord.

**Weight**  
Max. 15kg.

**Class**  
Ingress protection IP20. Electric shock protection II w/o ground. ⚠



Product code	Light source	Finish
PH4.5-F	1x150W A65 Frosted E27	WHT OPAL GLASS

Info notes:  
Fitting carries individual security identity number. Find energysaving alternative light sources on [www.louispoulsen.com](http://www.louispoulsen.com).

