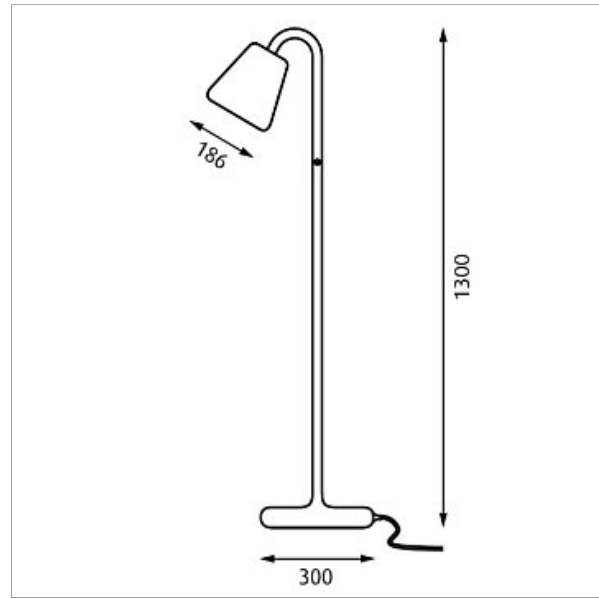


OJ Floor



Design: Ole Jensen

Concept: The fixture emits soft, comfortable, and glare-free light. The shade design seeks to create soft, decorative illumination of the top and bottom of the shade, giving the impression that the light is being squeezed out of the openings. The thickness and surface of the shades

Finish: White with a structured surface, powder coated.

Material: Shade: Pressed steel. Base: Pressed steel. Stem: Steel.

Mounting: Cable type: Plastic cord with plug. Cable length: 2.5m. Light control: On stem.

Weight: Max. 5.5kg.

Class: Ingress protection IP20. Electric shock protection II.

Product code	Light source	Finish
OJ-F	1x42W QT CLASSIC E14	WHT COL TEXT

Specification notes
The white version is supplied with a white cable. The other versions are supplied with a black cable. The innovation of light sources is ongoing. Consequently we only inform about the max. wattages. On www.louispuulsen.com we update a list of recommendable light sources.

Info notes
Comes with an energy-saving light source.

**louis
puulsen**