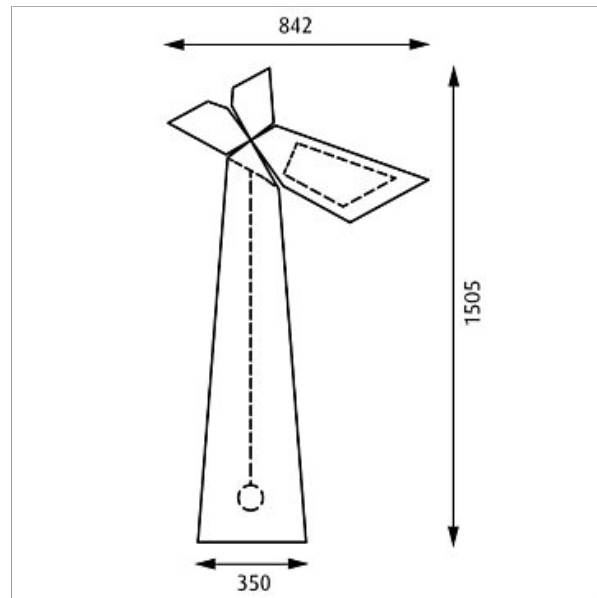


# Snow



Design: Louise Campbell

Concept: The fixture emits a general light and direct reading light. Both the reading and general lighting help to create a unique soft illumination of the space. The shade consists of varying concentrations of white screen-printed snowflakes, which are concentrated or blended together in accordance with the position and luminance of the light source in order to avoid uncomfortable glare.

Finish: Clear acrylic w/silk screen print.

Material: Shades: Vacuum formed acrylic.

Mounting: Cable type: Plastic cord with plug. Cable length: 3,5m. Light control: On/off switch on cord.

Weight: Max. 7.5kg.

Class: Ingress protection IP20. Electric shock protection II w/o ground.

Product code	Light source	Finish
SNOW-F	1x40W R50 E14 + 1x60 G95 E27 2UW MK16 GX10+2UW H11-CRI G8,5	CLEAR SILK PRINT. ACRYL

Specification notes  
The innovation of light sources is ongoing. Consequently we only inform about the max. wattages. On [www.louispoulsen.com](http://www.louispoulsen.com) we update a list of recommendable light sources.

**louis  
poulsen**