

semi-recessed & surface



Weblink
1469

Boston University Fitness and Recreation Center. Boston, Massachusetts, USA. Architect: Cannon Design. Lighting designer: The RETEC Group, Inc. Photo: Terry Renna

Design
Alfred Homann

Concept

Strata Mini and Maxi create direct downlight with three rings reducing the angle of glare. The rings are slightly contoured to catch some of the light and reflect it onto the ceiling, ensuring a soft transition between the trim and the ceiling.

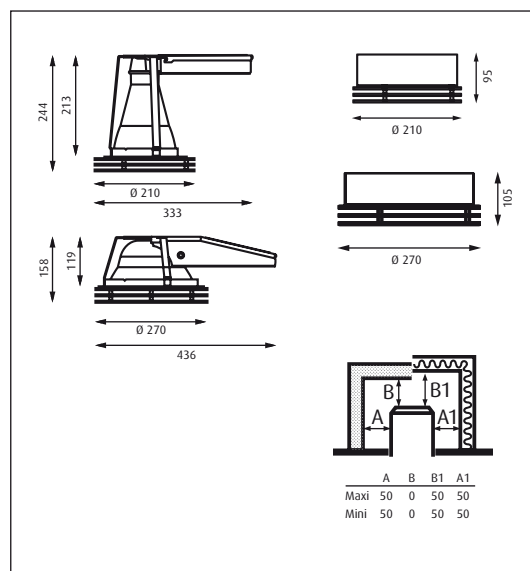
Finish
White or white, powder coated.

Material
Reflector: White, spun aluminium. Rings: Die cast aluminium.

Mounting
Recessed: Ceiling cut-out: Maxi: Ø 235mm, Mini: Ø 150mm. Ceiling thickness: 1-30mm. Surface: Mounted directly on the ceiling. Terminal block: 1x5x2,5mm². Cable entries (surface mounted): 1x rear entry Ø 18mm. Looping: Approved, max. 5x1,5mm².

Weight
Max. 3kg.

Class
Ingress protection IP20. Electric shock protection I w. ground. ⚡



Product code	Dimensions	Light source	Finish	Mounting	Lighting control
STRA-C	MINI MAXI	2x13W TC-D G24d-1 Conv. 2x18W TC-D G24d-2 Conv. 2x26W TC-D G24d-3 Conv. 1x32W TC-TEL GX24q-3 HF 1x32W TC-TEL GX24q-3 HF-D 1x26/32W TC-TEL GX24q-3 HF 1x26/32W TC-TEL GX24q-3 HF-D 2x26W TC-TEL GX24q-3 HF 2x26W TC-TEL GX24q-3 HF-D	WHT	RECESSED SURFACE MOUNTED	NONE DALI/DSI/SWITCH-DIM/SMART-DIM DIM 1-10V EMPK

Variant notes:
2x13W TC-DEL and 1x26/32W TC-TEL only available for Mini recessed. 2x13W TC-D only available for Mini surface. 2x26 TC-TEL and 1x32W TC-TEL only available for Maxi recessed. 2x18W TC-D and 2x26W TC-D only available for Maxi surface.

Info notes:
All variants can be delivered with light source and/or 2m cable + plug.

