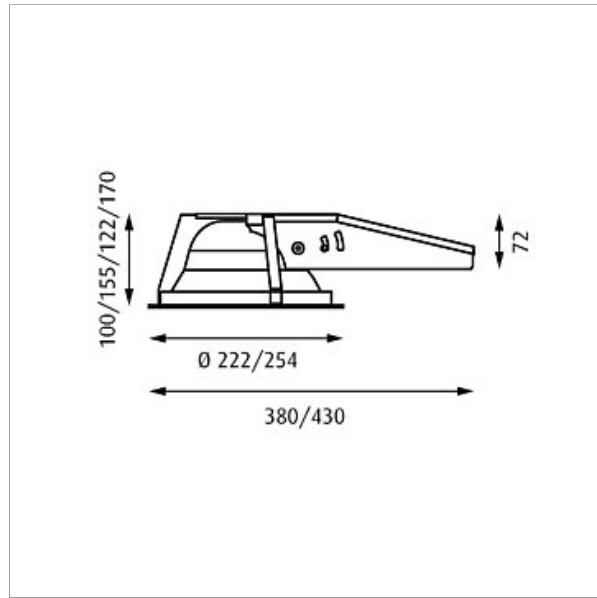


Beat



Design: Louis Poulsen Lighting A/S

Concept: The fixture emits light directed 100% downwards. The choice of a polished or matt reflector provides either distinct or diffuse light. A wide range of decor rings help control the light and provide decorative effects.

Finish: White, powder coated.

Material: Housing and ceiling ring: Steel. Reflector: Aluminium, matt anodised or metallised polished aluminium.

Mounting: Ceiling thickness: 1-15mm or 1-30mm. Ceiling cut-out: Ø222: Ø 205mm, Ø254: Ø 235mm. Terminal block: 1x5x2,5mm². Looping: Approved, max. 5x1,5mm².

Weight: Max. 2kg.

Class: Ingress protection IP21. Electric shock protection I w. ground.

Product code	Dimensions	Light source	Finish	Light technique	Reflector	Lighting control
BEAT-C	222/100 222/155 254/122 254/170	1x26W TC-TEL GX24q-3 HF 1x26W IC-TEL GX24q-3 HF-D 1x32W IC-TEL GX24q-3 HF 1x32W IC-TEL GX24q-3 HF-D 1x42W IC-TEL GX24q-4 HF 1x42W IC-TEL GX24q-4 HF-D 2x32W IC-TEL GX24q-3 HF 2x32W TC-TEL GX24q-3 HF-D 2x14W TC-TEL GR14q HF-D 1x14W TC-TEL GR14q-1 HF 2x17W TC-TEL GR14q-1 HF 1x17W TC-TEL GR14q-1 HF-D 1x17W TC-TEL GR14q-1 HF 1x14/17W TC-TEL GR14q-1 HF 1x14W TC-TEL GR14q-1 HF-D 2x17W TC-TEL GR14q-1 HF-D 1x14/17W TC-TEL GR14q-1 HF-D 2x14W TC-TEL GR14q HF	WHT	ASYM NOT APPLICABLE	ALU MATT ALU POLISH	NOT APPLICABLE EMPK DALI/DSI/SWITCH-DIM/SMART-DIM DIM 1-10V DALI/SWITCH-DIM

Specification notes

Dimming only available with HF-D. 1x14/17W HF-D only available with DALI/SWITCH DIM. 1x32W TC-TEL / HF-D only available with 222/155. 1x14/17W TC-TEL HF-D: DALI/SWITCH-DIM. 1x26W and 1x32W TC-TEL HF-D: DALI/DSI/SWITCH-DIM/SMART-DIM or 1-10V.

Info notes

All lighting application data is based on TC-TEL light sources with amalgam, where possible. All variants can be delivered with light source and/or 2m cable + plug. Emergency box to be ordered separately. Best performance of 1x14/17W is reached with light source from Osram. Accessories: www.louispoulsen.com.