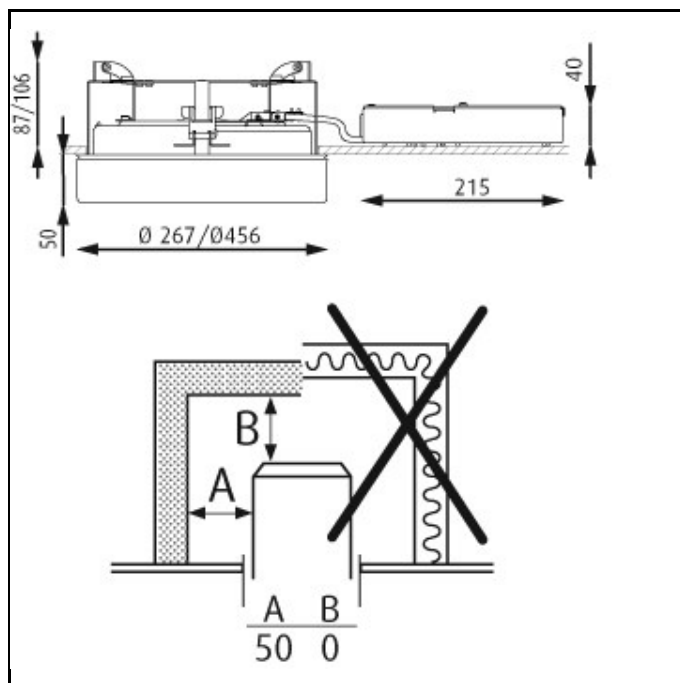
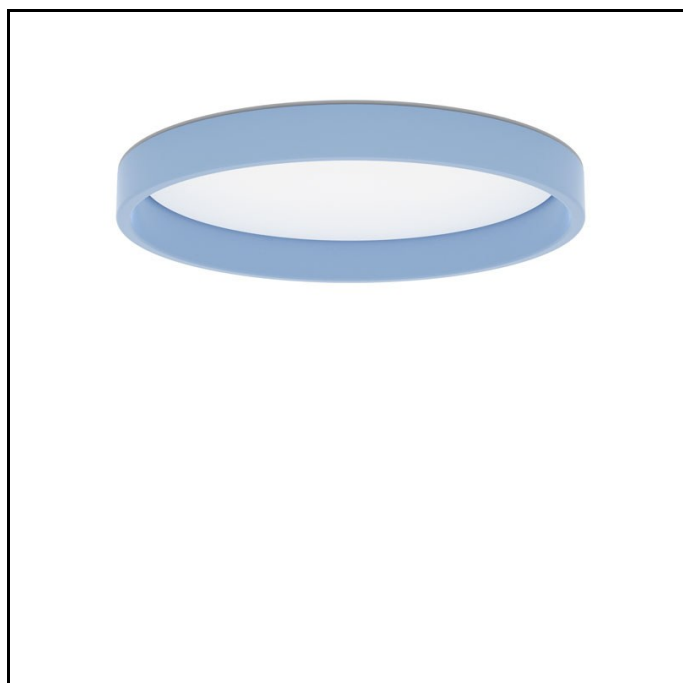


# LP Circle Semi Recessed



**Design** Mikkel Beedholm/KHR arkitekter

**Concept** The fixture emits diffuse light via a high-efficiency acrylic diffuser. The diffuser, which is encircled by a voluminous coloured or white ring, is hidden when viewed from low angles. Angling the inner side of the ring 5° creates a comfortable and decorative gradation of the light from the diffuser. With two diameters and four different installation options, the lights series can be used for a wide range of applications.

**Finish** White, Blue, Red or Black. Powder coated.

**Material** Reflector: Extruded aluminium. Diffuser: Acrylic, frosted. Installation lock: Polyamide.

**Mounting** Ceiling thickness: 1–40 mm. Driver is a separate unit (supplied with fixture). Cut-out dimensions: Ø 260: Ø 248mm, Ø 450: Ø 438mm. Looping: Approved, max 5x1.5mm<sup>2</sup>. For further information, visit [www.louis Poulsen.com](http://www.louis Poulsen.com).

**Weight** Max 3kg. (Ø 260). Max 5 kg. (Ø 450).

**Class** Ingress protection IP20. Electric shock protection I.

Product Code	Dimensions	Light source	Finish	Lighting control
LP-CIRC-SEMI-REC	Ø 260	16W LED 3000K	BLK	DALI/SWITCH-DIM
	Ø 450	16W LED 4000K	BLUE	DIM 1-10V
		30W LED 3000K	RED	
		30W LED 4000K	WHT	

## Specification notes

A separate LED driver is supplied with the fixture. All LED power measurements are measured as system power.

## Info notes

LED technology is constantly developing. The specifications given are based on existing technology. Please find updated info on products on our website [www.louis Poulsen.com](http://www.louis Poulsen.com). Please contact Louis Poulsen for the following versions: LP Circle Ø 450 HO: High output for projects with high ceilings or where high illumination is required. LP Circle Ø 450 HE: Improved efficiency, while standard lighting levels can still be achieved. LP Circle Ø 450 with microprismatic diffuser for UGR <19 (CIE 117). If you have special requirements concerning colour temperature, IP class, emergency lighting solutions or other modifications to the LP Circle model, please contact Louis Poulsen.