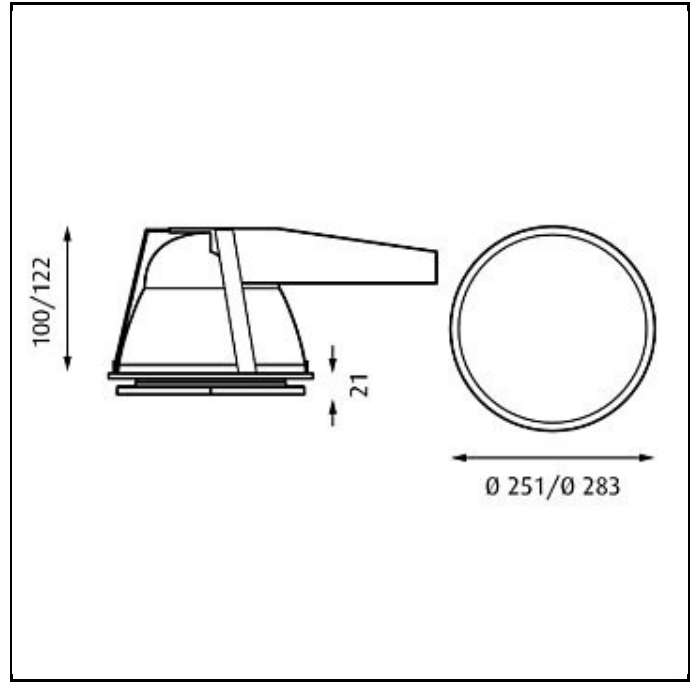


Zirkon



Design C. F. Møller Architects

Concept The fixture emits uniform, diffuse light, creating an attractive soft atmosphere. The thick polycarbonate disc provides a corona effect which illuminates the ceiling, making the disc appear to hover.

Finish Matt white polycarbonat.

Material Reflector: Aluminium, matt anodised. Disc: Semi-transparent silk screen printed glass.

Mounting Ceiling thickness: 1-15mm, 1-30mm or 1-40mm. Ceiling Cut-Out: Ø 251: 205mm, Ø 283: 235mm. Terminal block: 1x5x2,5mm². Looping: Approved, max. 5x1.5mm². For more information please look at www.louispoulsen.com.

Weight Max. 2kg.

Class Ingress protection IP21. Electric shock protection I w. ground.

Product Code	Dimensions	Light source	Finish	Lighting control
ZIR-C	Ø 251	1x26W TC-TEL GX24q-3 HF	MATT WHITE POLY.	DALI
		1x26W TC-TEL GX24q-3 HF-D		DALI/DSI/SWITCH-DIM/SMART-DIM
	Ø 283	1x32W TC-TEL GX24q-3 HF		DALI/SWITCH-DIM
		1x32W TC-TEL GX24q-3 HF-D		DIM 1-10V
	1x42W TC-TEL GX24q-4 HF	NONE		
	1x42W TC-TEL GX24q-4 HF-D			
	22W LED 3000K			
	22W LED 4000K			
	42W LED 3000K			
	42W LED 4000K			

Specification notes

1x26W TC-TEL only available for Ø251. 1x32W TC-TEL only available for Ø251 and Ø283. 1x42W TC-TEL only available for Ø283.

Info notes

All variants can be delivered with light source and/or 2m cable + plug. The innovation of the LED technology is constant. The specifications mentioned are based on present technology. Please find updated info on products on our website www.louispoulsen.com.