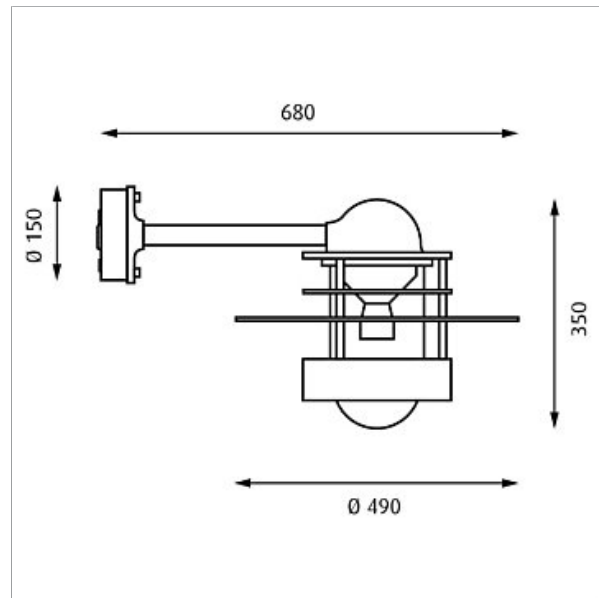


Planet Wall



Design: Jens Møller-Jensen

Concept: The fixture provides characteristic symmetrical and functional lighting. The horizontal ring reflects the light downwards, but its position also allows some light to slip past and illuminate the fixture itself. The anti-glare ring prevents from horizontal glare and the diffuser is partly frosted to prevent vertical glare.

Finish: Aluminium coloured with textured surface or white, powder coated.

Material: Saturn ring: Punched aluminium. Anti glare ring: Spun aluminium. Top: Die cast aluminium. Wall box: Die cast aluminium. Arm: Extruded aluminium.

Mounting: Terminal block: 1x3x2.5mm². Cable entries: 2x bottom + 2x rear entries for Ø 10-14.5mm cable. Looping: Approved, max. 3x1,5mm². Ballast positioning: In fixture head.

Weight: Max. 7kg.

Class: Ingress protection IP44. Electric shock protection I w. ground.

Product code	Light source	Finish	Class	Shield/Diffuser
PLAN-W	1x26W/32W/42W TC-TEL HF 1x70W HIE-CRI E27 Conv.	ALU COL TEXT WHT	I	PART FROSTED

Info notes
HIE-CRI is supplied with polycarbonate diffuser. The TC-TEL version is supplied with acrylic diffuser.

**louis
poulsen**