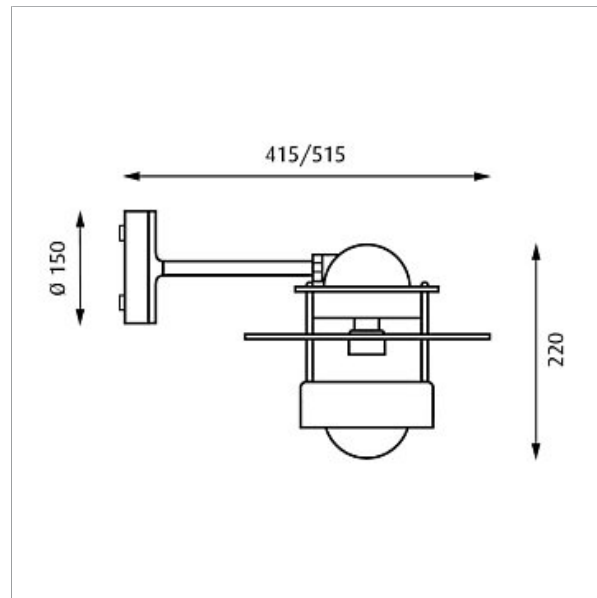


Albertslund Wall



Design: Jens Møller-Jensen

Concept: The fixture provides characteristic symmetrical and functional lighting. The horizontal ring reflects the light downwards, but its position also allows some light to slip past and illuminate the fixture itself. The anti-glare ring prevents from horizontal glare, and the diffuser is available either as clear or partly frosted glass, depending on the desired light source.

Finish: Galvanized, grey or white, powder coated.

Material: Enclosure: Clear glass or partly frosted glass. Saturn ring: Punched aluminium or galvanized, punched steel. Anti glare ring: Spun aluminium or galvanized, extruded steel. Housing: Die cast aluminium. Wall box: Die cast aluminium. Arm: Extruded aluminium.

Mounting: Terminal block: 1x3x2.5mm². Cable entries: 2x rear entries for cable Ø 10-14.5mm and 2x bottom knockouts Ø 15mm. Looping: Approved, max. 3x1,5mm². Ballast positioning: In wall box.

Weight: Max. 3.5kg.

Class: Ingress protection IP44. Electric shock protection I w. ground. IK06.

Product code	Light source	Finish	Class	Shield/Diffuser	Arm type
ORB-W	1x18W TC-TEL GX24q-2 HF 1x100W E27	GALV GREY WHI	I	CLEAR PART FROSTED	LONG SHORT

Specification notes

TC-TEL version is supplied with partly frosted glass enclosure to avoid undesirable glare. Incandescent version is supplied with clear glass enclosure. The innovation of light sources is ongoing. Consequently we only inform about the max. wattages. On www.louispoulsen.com we update a list of recommendable light sources.

Info notes

The control gear is placed in the wall box. Please note that the top, wall box and arm appears in natural aluminium surface for the versions with galvanised shades. Both natural aluminium and galvanised surfaces will oxidize during time. This can result in an inconsistent surface finish during oxidation. This process might have begun already during stocking/transportation.

**louis
poulsen**