



Coney Island, Brooklyn, New York, USA. Photo: Thomas Loof Photography

Weblink
1459

Design
LK as

Concept
Skot Wall/Ceiling provides both direct and diffuse lighting with a choice of either clear or white opal diffuser. The half-masked crossguard accentuates the downlight.

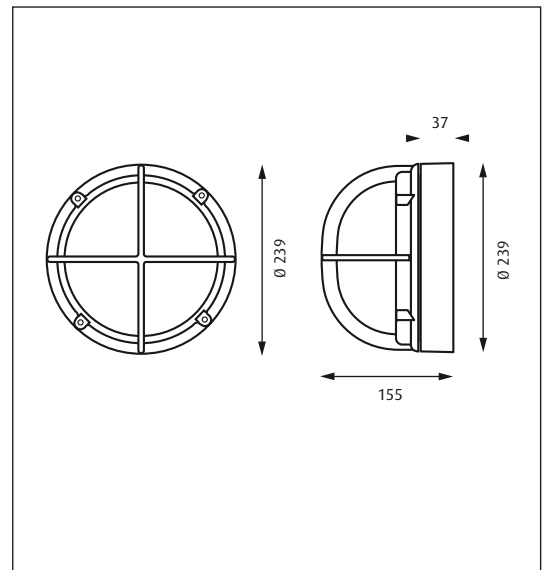
Finish
Aluminium coloured or graphite with textured surface, powder coated.

Material
Diffuser: Injection moulded opal polycarbonate. Base/cross guard: Die cast aluminium.

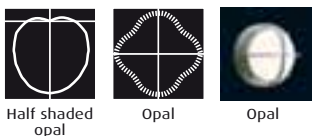
Mounting
Terminal block: 1x4x2.5mm². Cable entries: 2x rear entries. 1x top entry, 1x side entry in each side and 3x bottom entries. Looping: Approved, max. 4x1,5mm².

Weight
Max. 2.5kg.

Class
Ingress protection IP66. Electric shock protection II w/o ground. Vandal Proof II. ▽



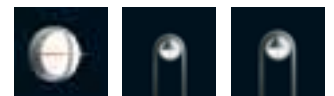
Product code	Light source	Finish	Shield/Diffuser
SKT-WC	1x10W/13W TC-DEL G24q-1 HF 1x18W TC-DEL G24q-2 HF	ALU COL GRAPH TEXT	HALF SHADED CLEAR HALF SHADED OPAL OPAL



Half shaded opal

Opal

Opal



Page 156

Page 176

Page 177