

# ECLIPSE

Design by Arik Levy.

**VIBIA**  
LIGHT IS CREATION

## Reference

**4230.**

## Application

Wall Lamps

## Installation type

Built-in

## Description

ECLIPSE is a wall light that generates a unique lighting effect. Designed by Arik Levy, it is available in two colours: matt white lacquer or gold.

## Diffuser

ABS

## Finish



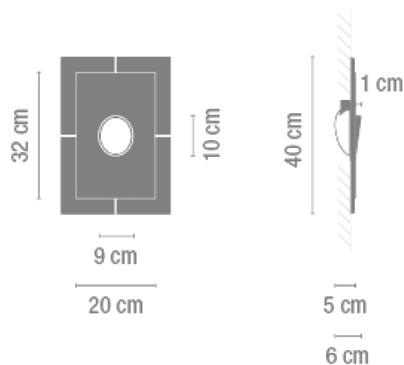
**4230-03.**

Matt white  
lacquer

**4230-50.**

Gold lacquer

## Sketch

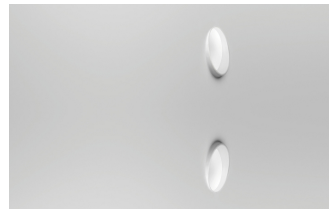


## Electrical characteristics

1 x LED 3W 700mA



Total 3 W



## Physical characteristics

1 Box / 0.27 x 0.60 x 0.60 m. / Vol. 0.0972 m<sup>3</sup> /  
Gross weight 4.3 kg. / Net weight 1.8 kg.

## Installation and assembly

Follow instructions of the installation guide

## Light distribution

### Orientation

Lamp having a beam powerful enough to define profiles and the surrounding architecture.



## Photometric data

Efficiency : 100.00%

Coordinate system : C-G

Total flux : 50.65 lm

Maximum value : 622.37 cd/klm

Light position : C=90.00 G=40.00

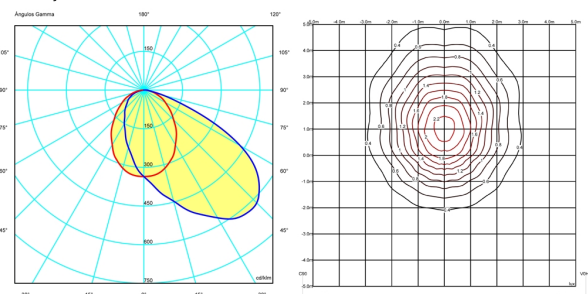
Double symmetrical : 4

Isolux : Isolux (suelo)

Light position :

X=0.00m Y=0.00m Z=3.00m

Light rotation :



## Certificates

