

PALO ALTO

Design by Xuclà.

VIBIA
LIGHT IS CREATION

Reference

4525.

Application

Outdoor lamps

Description

PALO ALTO is a tall tilted outdoor lamp. Designed by Josep Lluís Xuclà, it is available in two colours: matt oxide lacquer or khaki.

Diffuser

Polycarbonate diffuser

Finish



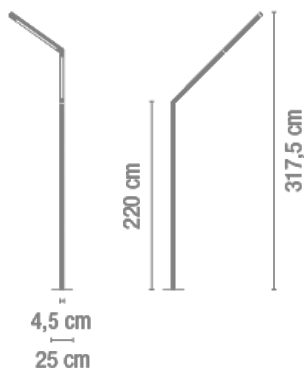
4525-07.

Khaki lacquer

4525-54.

Matt oxide
lacquer

Sketch



Electrical characteristics

2 x LED STRIP 24V 10W

Total 20 W



Physical characteristics

1 Box / 0.29 x 0.29 x 2.60 m. / Vol. 0.2180 m³ /
Gross weight 13.8 kg. / Net weight 11.0 kg.

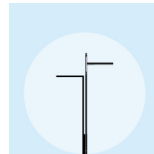
Installation and assembly

Follow instructions of the installation guide

Light distribution

General lighting

Lamp for general lighting that equally distributes the light in all directions.



Photometric data

Efficiency : 100.00%

Coordinate system : C-G

Total flux : 221.94 lm

Maximum value : 454.12 cd/klm

Light position : C=270.00 G=45.00

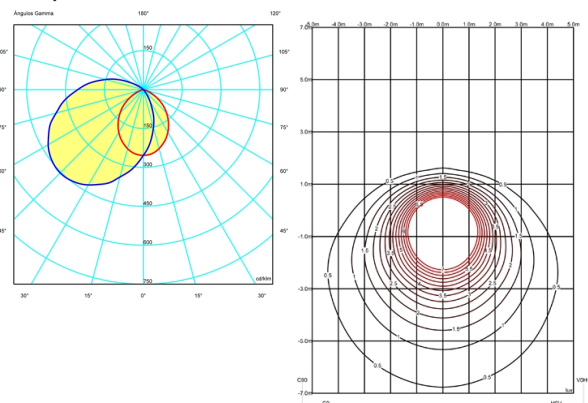
Double symmetrical : 2

Isolux : Isolux (suelo)

Light position :

X=0.00m Y=0.00m Z=3.00m

Light rotation :



Certificates

