

Domino is a range of small tables and poufs, an original variation on the nest of tables. They have a shiny chrome support structure consisting in two "Cs" upturned in a nonsymmetrical cross and a 'chessboard' top in wood or a round one in coloured glass. The soft, well-proportioned, cylindrical poufs have fabric, leather or felt covers. The fabric and felt covers are fully removable.

Materiali

Structure

Shiny chrome steel with non-slip plastic feet.

Wooden top

Chipboard or boxed wood covered with veneer.

Crystal top

10mm, polished-edge, reinforced crystal painted in colours from the range.

Pouf

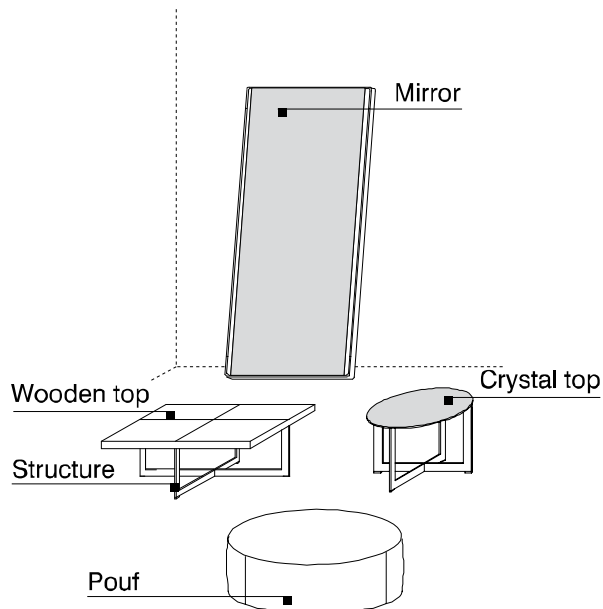
Solid Fir wood and plywood frame, padded with polyurethane foam in various densities. Light velvet cover and adjustable plastic feet.

Mirror

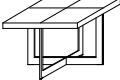
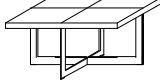
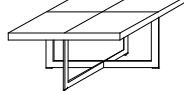
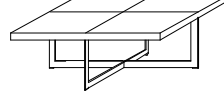
In silverplated glass (comes with a protective safety film) with a surrounding steel frame finished in shiny chrome.

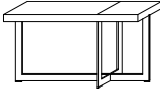
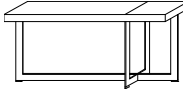
Outer covers


Removable in fabric and felt version.



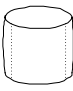
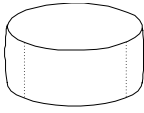
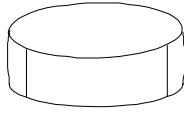
Types and available finishes

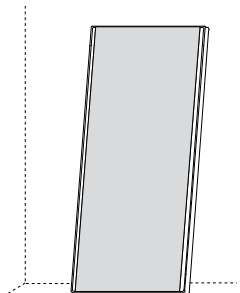
Side tables	w.60 – d.60 – h.43 cm w.23 ^{5/8"} – d.23 ^{5/8"} – h.16 ^{7/8"}	w.90 – d.60 – h.43 cm w.35 ^{3/8"} – d.23 ^{5/8"} – h.16 ^{7/8"}	w.90 – d.90 – h.43 cm w.35 ^{3/8"} – d.35 ^{3/8"} – h.16 ^{7/8"}	w.120 – d.90 – h.43 cm w.47 ^{1/4"} – d.35 ^{3/8"} – h.16 ^{7/8"}
Top: wood Structure: shiny chrome				

Console tables	w.100 – d.30 – h.57 cm w.39 ^{3/8"} – d.11 ^{7/8"} – h.22 ^{1/2"}	w.120 – d.30 – h.57 cm w.47 ^{1/4"} – d.11 ^{7/8"} – h.22 ^{1/2"}
Top: wood Structure: shiny chrome		

Side tables	Ø45 – h.34 cm Ø17 ^{3/4"} – h.13 ^{3/8"}	Ø45 – h.48 cm Ø17 ^{3/4"} – h.17 ^{7/8"}
Top: shiny chrome and wood insert Struttura: shiny chrome		

Side tables	Ø45 – h.34 cm Ø17 ^{3/4"} – h.13 ^{3/8"}	Ø45 – h.48 cm Ø17 ^{3/4"} – h.17 ^{7/8"}	Ø62 – h.40 cm Ø24 ^{3/8"} – h.15 ^{3/4"}
Piano: coloured glass Struttura: shiny chrome			

Pouf	Ø44 – h.37 cm Ø17 ^{3/8"} – h.14 ^{5/8"}	Ø89 – h.37 cm Ø35" – h.14 ^{5/8"}	Ø120 – h.37 cm Ø47 ^{1/4"} – h.14 ^{5/8"}
Fabric, leather, felt			

Mirror	w. 90 – h. 210 – Th. 5 cm w. 35 ^{3/8"} – h. 82 ^{5/8"} – Th. 2"
	

Use and maintenance

The product was designed for domestic use to support light weights. Table tops are not to be used as work tops of any kind. Do not climb up on tables and do not sit on them; avoid impacts of all types against parts in plate glass; do not place weights on the ends of tables, as this may damage the table or cause it to capsize. Avoid doing maintenance jobs on the components of products yourself: contact your retailer if anything goes wrong. Keep tops from coming into contact with water or other liquids, even for brief periods. Avoid resting or sliding objects on the surface of aluminium tops. Do not place the tables close to sources of heat exceeding 45°C. Any odours that may be given off by the product when unpacked are not toxic and disappear when in an aired room.

Mirror

Mirror for resting on floor, with pre-disposed system for fixing upper part to the wall obligatory.

Maintenance of wooden and glass parts

It is advisable to clean these parts with alcohol diluted with water, drying immediately with a soft cloth. All these operations should be carried out with the greatest of care, to avoid scratching the surface. Avoid the use of products containing acetone, ammonia, chlorine and solvents, abrasive products and furniture wax. Exposure to direct sunlight may alter the colour of the wood.

Chrome structure care

For ordinary care, use a soft, dry cloth to remove dust. For greasy dirt (fingerprints), we recommend the use of standard glass-cleaning detergents containing ammonia. Once a month, treat the surfaces with metal cleaner/polish. Avoid products containing solvents and/or spirits and cloths with hard fibres (synthetic/linen) as they could ruin and/or scratch the surfaces.

Cover care

See information sheet (in the download section on the web site www.molteni.it).

Disposal

Once discarded, neither the product nor its components should be abandoned in unauthorised areas but taken to a municipal dump.