

---

# BuzziMe

## Product Specification Sheet

---

This document contains technical information about the BuzziMe

---



[www.buzzi.space](http://www.buzzi.space)




## Lounge Chair

Me, myself and I: there are times when you want to spend some time on your own in peace and quiet. BuzziMe is the ideal space to get away from it all. Belgian designer Axel Enthoven was responsible for an ingenious look that harmoniously combines functionality and ergonomics. Put two BuzziMe lounge chairs together for a private meeting. The acoustic absorption of the lounge chair reduces any external noise and vice versa: the perfect chair for lobbies, airports and offices - or your very own 'quiet' cocoon at home.

Design by Axel Enthoven

---

## General

 BuzziMe Low | BuzziMe | BuzziMe Ottoman

Shell: Plywood Birch

Covered in fabric

Cushions: acoustic foam covered with fabric

backside: antiskid



seat: acoustic foam

back: acoustic foam

Cover upholstered in Fabric, Rough, Trevira CS+ | CS, Revive 1, Revive 2, Terra, Clara 2, Remix 2, Hero, Tonus 4, Tonus Meadow, Memory 2 or Matrix

Foot: Metal swivel base, powder coated in Umbra Grey (RAL 7022)



Dry use



Fully Assembled



Bicolor (different color inside / outside) in same categorie, same collection

Tablet (left or right)

---

## Acoustics



Absorption

---

## Content

Configurations	3
Options	5
Fabrics	6
Dimensions	10

# Configurations

---

## BuzziMe Low

Shell: Plywood Birch

Covered in fabric

Cushions: acoustic foam covered with fabric

backside: antiskid

seat: acoustic foam

back: acoustic foam



Cover upholstered in Fabric, Rough, Trevira CS+ | CS, Revive 1, Revive 2, Terra, Clara 2, Remix 2, Hero, Tonus 4, Tonus Meadow, Memory 2 or Matrix

Foot: Metal swivel base, powder coated in Umbra Grey (RAL 7022)



W 71,5 cm    D 93,5 cm    H 95 cm  
W 28.15"    D 36.81"    H 37.40"



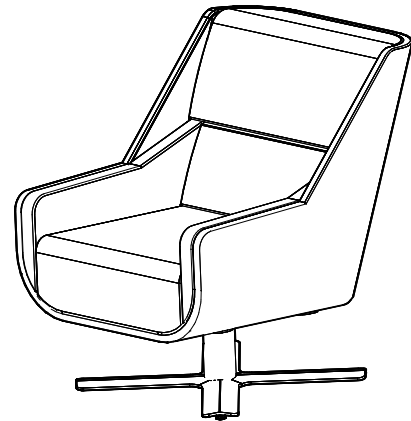
45 kg | 99.21 lbs

Bicolor (different color inside / outside) in same



categorie, same collection

Tablet left or right



---

## BuzziMe

Shell: Plywood Birch

Covered in fabric

Cushions: acoustic foam covered with fabric

backside: acoustic antiskid

seat: acoustic foam

back: acoustic foam



Cover upholstered in Fabric, Rough, Trevira CS+ | CS, Revive 1, Revive 2, Terra, Clara 2, Remix 2, Hero, Tonus 4, Tonus Meadow, Memory 2 or Matrix

Foot: Metal swivel base, powder coated in Umbra Grey (RAL 7022)



W 71,5 cm    D 93,5 cm    H 135 cm  
W 28.15"    D 36.81"    H 53.15"



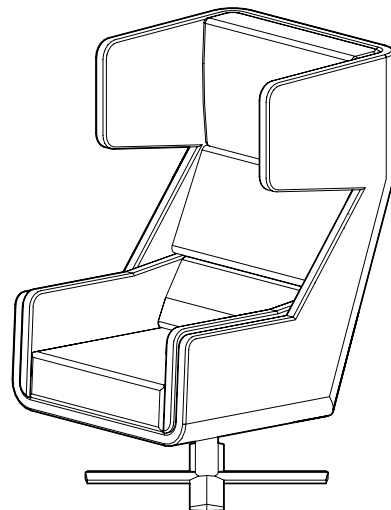
58 kg | 127.87 lbs

Bicolor (different color inside / outside) in same



categorie, same collection

Tablet left or right



---

## BuzziMe Ottoman

Shell: Plywood Birch

Covered in fabric

Cushions: acoustic foam

backside: antiskid



Cover upholstered in Fabric, Rough, Trevira CS+ | CS, Revive 1, Revive 2, Terra, Clara 2, Remix 2, Hero, Tonus 4, Tonus Meadow, Memory 2 or Matrix

Foot: Metal swivel base, powder coated in Umbra Grey (RAL 7022)



W 67 cm D 71,5 cm H 44,5 cm

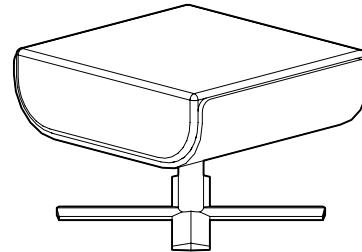
W 26.38" D 28.15" H 17.52"



27,2 kg | 59.97 lbs



Bicolor (different color inside / outside)



# Options

---

## Tablet

Left or Right

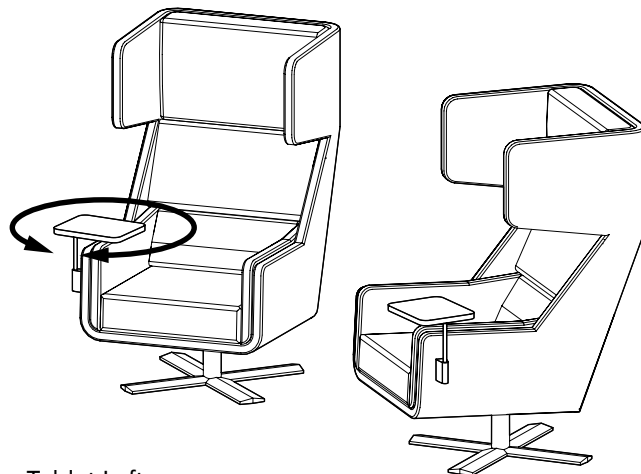
Rotatable

Powder coated metal in Umbra Grey (RAL 7022)

W 28 cm D 23 cm H 28,6 cm

W 11.02" D 9.06" H 11.26"

1,75 kg | 3.86 lbs



Tablet Left

Tablet Right

---

## Bicolor

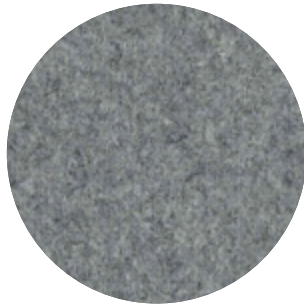
Different color inside / outside in same categorie, same collection





# Fabrics

## Fabric



**Category A**

**Composition** 70% Recycled Wool, 25% Recycled Polyacryl,  
5% Recycled Other Fabrics

**Weight** 405 g/m<sup>2</sup> | 11.94 oz/yd<sup>2</sup>

**Abrasion resistance** 40.000 Martindale, 50,000 Wyzenbeek

**Flammability** EU: EN 1021.1/2006 | BS EN 1021.1/2006 (cigarette).  
EN 1021.2/2006 | BS EN 1021.2/2006 (match)  
USA: CAL TB 117 | ASTM E84 CLASS A

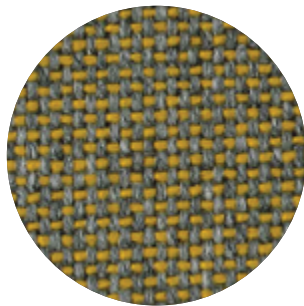
**Fastness to light** EU: 4 | USA 4

**Fastness to rubbing** EU: Wet 3-4 | Dry 4-5

**Fastness to crocking** USA: Wet 5 | Dry 5



## Rough



**Category A**

**Composition** 100% Polyacryl

**Weight** 456 g/m<sup>2</sup> | 13.45 oz/yd<sup>2</sup>

**Abrasion resistance** 40.000 Martindale

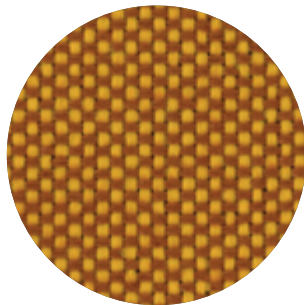
**Flammability** EU: EN 1021.1/2006 | BS EN 1021.1/2006 (cigarette)  
USA: CAL TB TB 117

**Fastness to light** EU: 5

**Fastness to rubbing** EU: Wet: 3 | Dry: 3



## Trevira CS+ | CS



**Category A**

**Weight** 420 g/m<sup>2</sup> | 12.39 oz/yd<sup>2</sup>

**Composition** 100% Polyester, Trevira CS

**Abrasion resistance** 100.000 Martindale, 90,000 Wyzenbeek

**Flammability** BS 5852 part II: CRIB 5 | BS 7176 Medium Hazard  
USA: CAL TB 117 | M1 | B1 | EN 1021/1-2 | C1 |  
IMO Res. A652 (16)

**Fastness to light** EU: 6 | USA 5

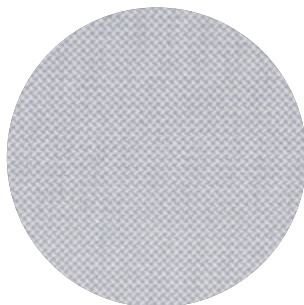
**Fastness to rubbing** EU: Wet 4-5 | Dry 4-5

**Fastness to crocking** USA: Wet 5 | Dry 5



## Revive 1

kvadrat



**Category A**

**Composition** 100% recycled polyester FR

**Weight** 430 g/lin.m

**Abrasion resistance** 60.000 Martindale rubs, EN ISO 12947

**Flammability** EN 1021-1/2 | DIN 4102 B1 | Önorm B1/Q1  
UNI 9175 1IM | US Cal. Tech. Bull. 117  
IMO A.652 (16)

**Fastness to light** Note 5-7, ISO 105-B02

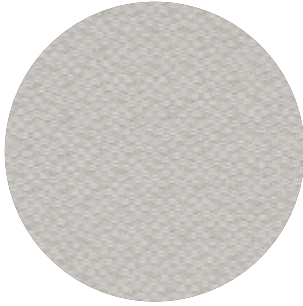
**Fastness to rubbing** (ISO) dry 5, wet 4-5

**Pilling** Note 4-5, EN ISO 12945



## Revive 2

kvadrat



**Category A**

**Composition** 100% recycled polyester FR

**Weight** 420 g/lin.m

**Abrasion resistance** 45.000 Martindale rubs, EN ISO 12947

**Flammability** EN 1021-1/2 | DIN 4102 B1 | Önorm B1/Q1  
UNI 9175 1IM | US Cal. Tech. Bull. 117  
IMO A.652 (16)

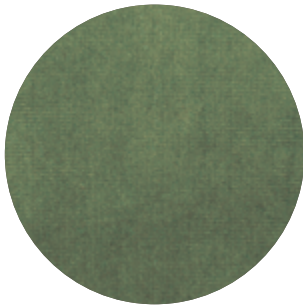
**Fastness to light** Note 5-7, ISO 105-B02

**Fastness to rubbing** (ISO) dry 5, wet 4-5

**Pilling** Note 4-5, EN ISO 12945



## Velvet



**Category B**

**Composition** 100% PES

**Weight** 375 g/m<sup>2</sup> | 11.06 oz/yd<sup>2</sup>

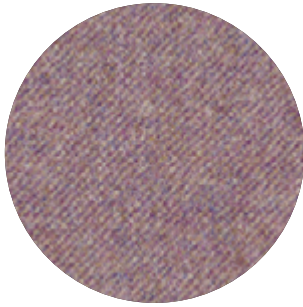
**Abrasion resistance** > 100.000 Martindale

**Fastness to light** EU: 4-5

**Fastness to rubbing** EU: Wet 4 | Dry 4-5

**Pilling** EU: 4-5

## Terra



**Category B**

**Composition** 100% Pure New Wool

**Weight** 370 g/m<sup>2</sup> | 10.91 oz/yd<sup>2</sup>

**Abrasion resistance** 40.000 Martindale, 25,000 Wyzenbeek

**Flammability** EU: BS5852 CRIB 5 | BS5867 PART 2 : 2008 : TYPE B  
EN: 1021.2/2006 | USA: CAL TB 117

**Fastness to light** EU 5 | USA 5

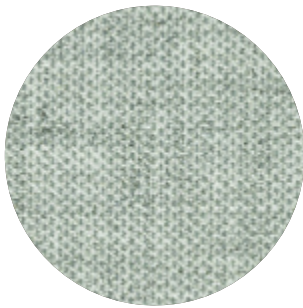
**Fastness to rubbing** EU: Wet 4 | Dry 4

**Fastness to crocking** USA: Wet 4 | Dry 4



## Clara 2

kvadrat



**Category B**

**Composition** 92% new wool, 8% nylon

**Weight** 400 g/lin.m

**Abrasion resistance** 80.000 Martindale rubs, EN ISO 12947

**Flammability** EN 1021-1/2 | BS 5852, ignition source 2-3 | DIN 4102 B2  
NF D 60 013 | UNI 9175 1IM | US Cal. Tech. Bull. 117, Sec. E  
NFPA 260 | IMO A.652(16)

**Fastness to light** Note 5-7, ISO 105-B02

**Fastness to rubbing** (ISO) dry 4-5, wet 4

**Pilling** Note 4, EN ISO 12945



## Remix 2

kvadrat



**Category B**

**Composition** 90% new wool, 10% nylon

**Weight** 415 g/lin.m

**Abrasion resistance** 100.000 Martindale rubs, EN ISO 12947

**Flammability** EN 1021-1/2 | BS 5852 part 1

Önorm B1/Q1 | NF D 60 013 | UNI 9175, 1IM

AS/NZS 1530.3 | Cal. Tech. Bull. 117-2013

NFPA 260 | IMO FTP Code 2010:Part 8

**Fastness to light** Note 5-7, ISO 105-B02

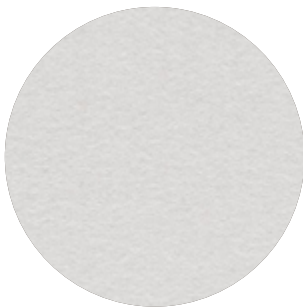
**Fastness to rubbing** (ISO) dry 4-5, wet 4

**Pilling** Note 4, EN ISO 12945



## Hero

kvadrat



**Category C**

**Composition** 96% new wool, 4% nylon

**Weight** 580 g/lin.m

**Abrasion resistance** 45.000 Martindale rubs, EN ISO 12947

**Flammability** EN 1021-1/2 | DIN 4102 B2 | NF D 60 013

UNI 9175 1IM | US Cal. Bull. 117-2013 | NFPA 260

IMO A.652 (16)

**Fastness to light** Note 5-6, ISO 105-B02

**Fastness to rubbing** (ISO) dry 4-5, wet 4-5

**Pilling** Note 3-4, EN ISO 12945



## Tonus 4

kvadrat



**Category D**

**Composition** 90% new wool, 10% Helanca

**Weight** 665 g/lin.m

**Abrasion resistance** 100.000 Martindale rubs, EN ISO 12947

**Flammability** EN 1021-1/2 | BS 5852 part 1 | DIN 4102 B2

Önorm B1/Q1 | NF D 60 013 | UNI 9175 1IM

US Cal. Bull. 117-2013 | NFPA 260 | IMO A.652 (16)

**Fastness to light** Note 5-7, ISO 105-B02

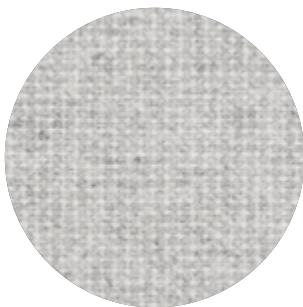
**Fastness to rubbing** (ISO) dry 3-5, wet 3-5

**Pilling** Note 3, EN ISO 12945



## Tonus Meadow

kvadrat



**Category D**

**Composition** 90% new wool, 10% Helanca

**Weight** 665 g/lin.m

**Abrasion resistance** 100.000 Martindale rubs, EN ISO 12947

**Flammability** EN 1021-1/2 | BS 5852 part 1 | DIN 4102 B2

Önorm B1/Q1 | NF D 60 013 | UNI 9175 1IM

US Cal. Bull. 117-2013 | NFPA 260 | IMO A.652 (16)

**Fastness to light** Note 5-7, ISO 105-B02

**Fastness to rubbing** (ISO) dry 4-5, wet 4

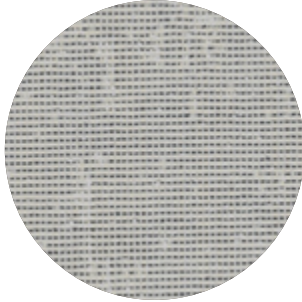
**Pilling** Note 3, EN ISO 12945





## Memory 2

kvadrat



**Category** E

**Composition** 100% Trevira CS

**Weight** 700 g/lin.m

**Abrasion resistance**

35.000 rubs acc. to the Martindale method, EN ISO 12947

**Flammability** EN 1021-1/2 | DIN 4102 B1 | Önorm B1/Q1  
NF D 60 013 | NF P 92 507 M1 | UNI 9175 11M  
UNI 9177 classe 1 | US Cal. Tech. Bull. 117  
IMO A.652 (16)

**Fastness to light** Note 5-8, ISO 105-B02

**Fastness to rubbing** (ISO) dry 4-5, wet 4-5

**Pilling** Note 4, EN ISO 12945



## Matrix

kvadrat



**Category** F

**Composition** 100% Trevira CS

**Weight** 760 g/lin.m

**Abrasion resistance**

App. 60.000 rubs acc. to the Martindale method, EN ISO 12947

**Flammability** EN 1021-1/2 | BS 5852 crib 5 | BS 5867 part 2 type B  
DIN 4102 B1 | Önorm B1/Q1 | NF D 60 013  
UNI 9175 11M | US Cal. Tech. Bull. 117 | NFPA 701  
IMO A.652 (16)

**Fastness to light** Note 5-7, ISO 105-B02

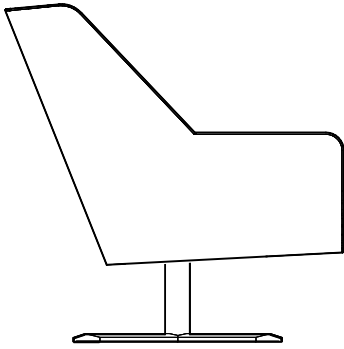
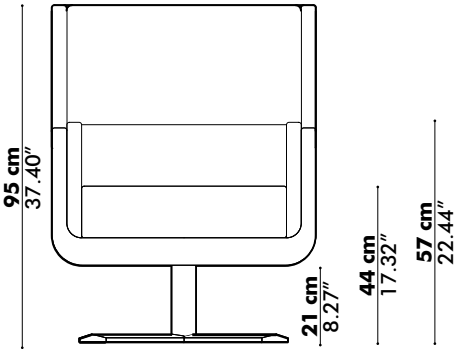
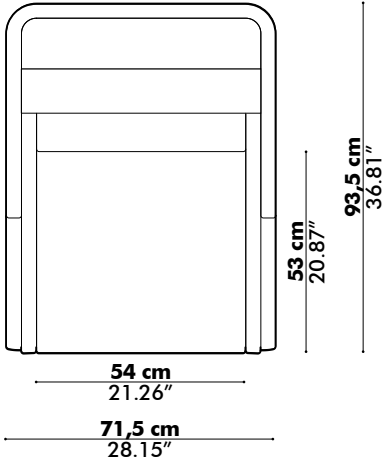
**Fastness to rubbing** (ISO) dry 4-5, wet 4-5

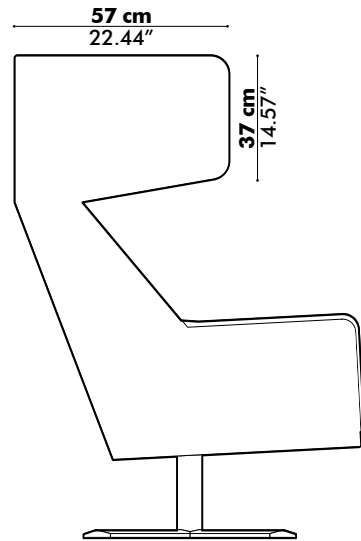
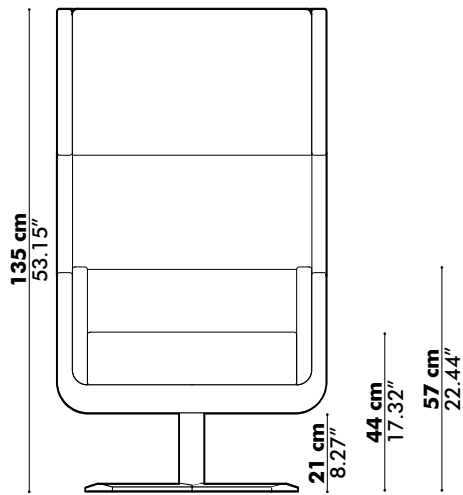
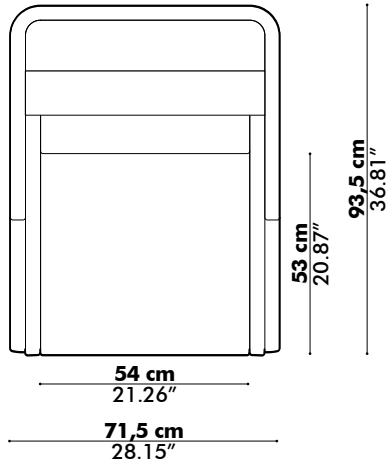
**Pilling** Note 4, EN ISO 12945



# Dimensions

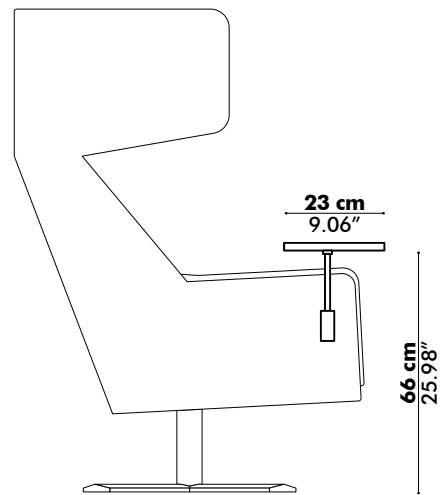
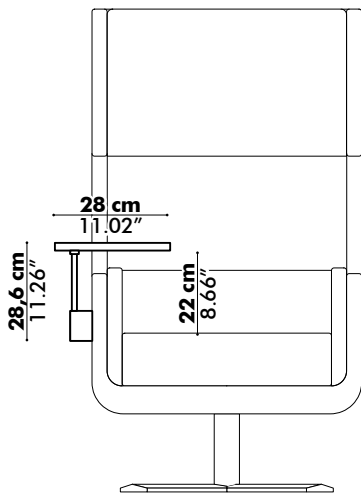
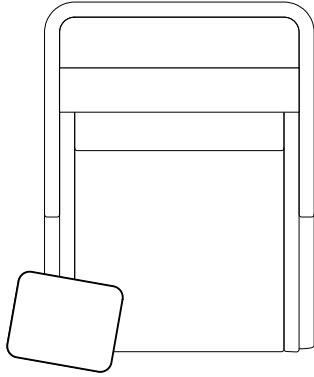
## BuzziMe Low





---

## Tablet (optional)



---

# BuzziMe Ottoman

