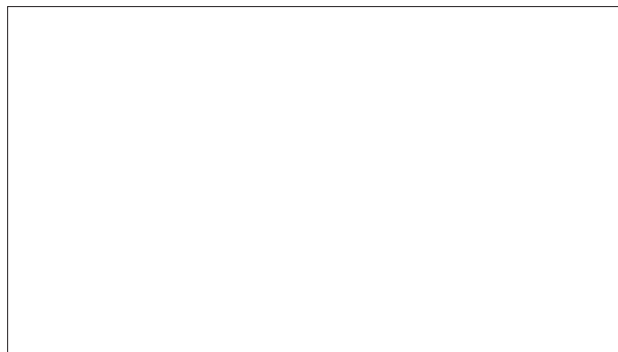
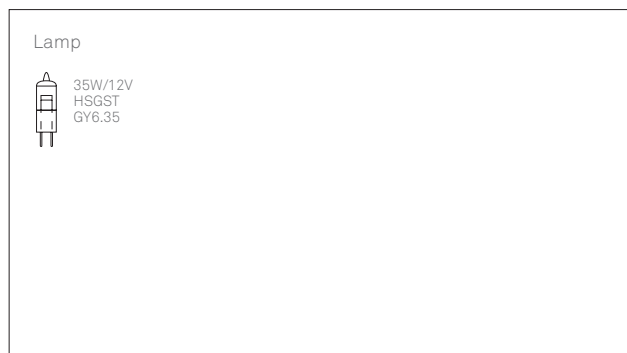
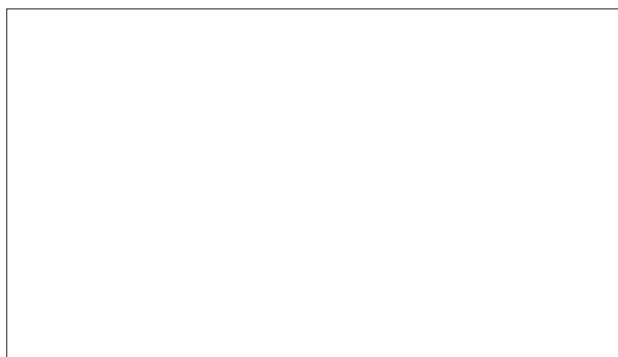
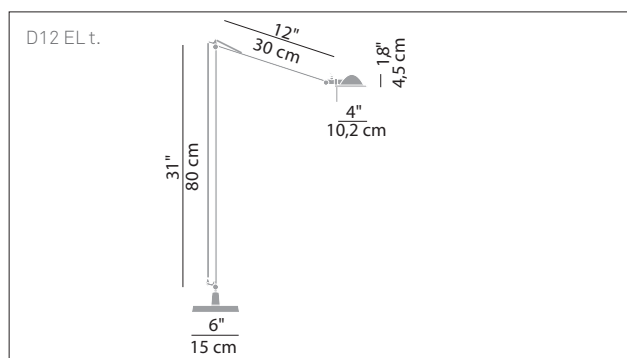


# BERENICE

alberto meda, paolo rizzato

D12



## Materials

metal parts in diecast aluminium reinforced nylon frictional joints rynite head  
parabolic reflector in pressed glass or in metal

## Structure finishes

white  black

## Glass reflector

blue  ivory  green

## Metal reflector

alu  black

## Note

berenice operates with an electronic transformer that allows extra low tension current to reach the light source through its rods without electric wiring

