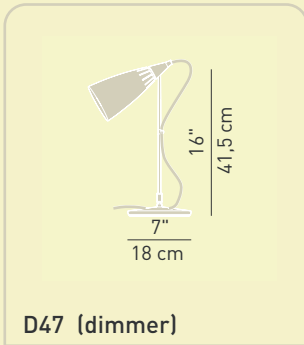
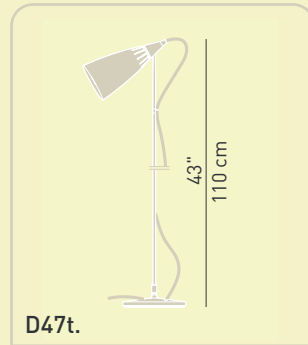


table

floor



D47 (dimmer)

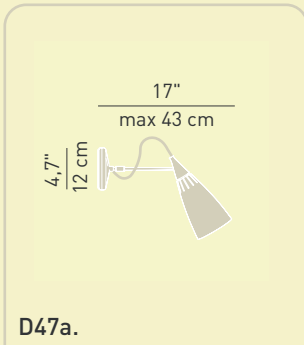


D47t.

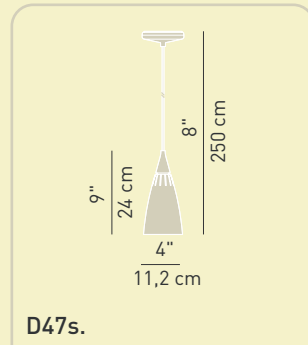


wall

suspension



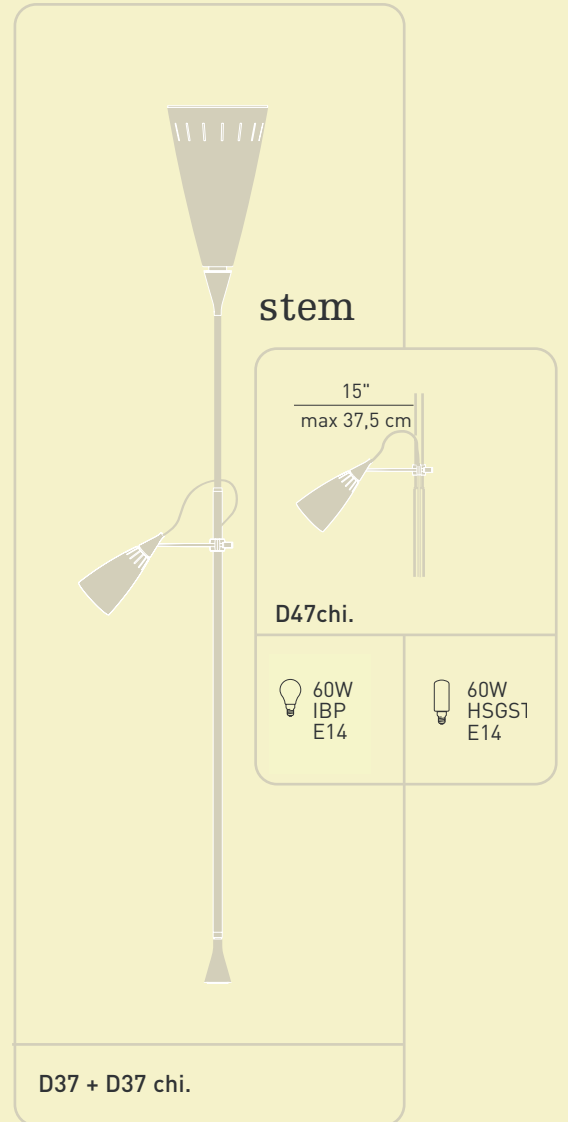
D47a.



D47s.

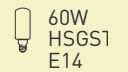


weight 0,512 Kg



stem

D47chi.



D37 + D37 chi.



D47/1



white

only white finish available for diffuser of table and floor versions

structure finishes

polished

materials

polycarbonate with stainless steel support

diffuser filter finishes

