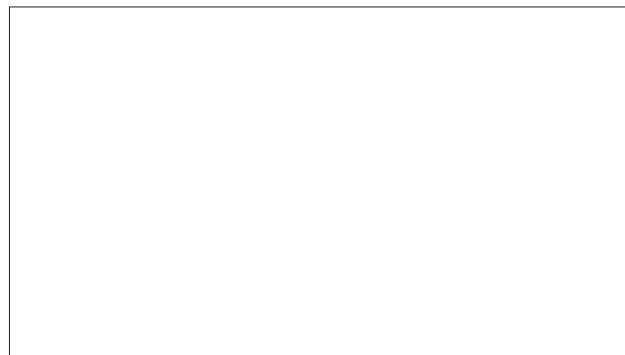
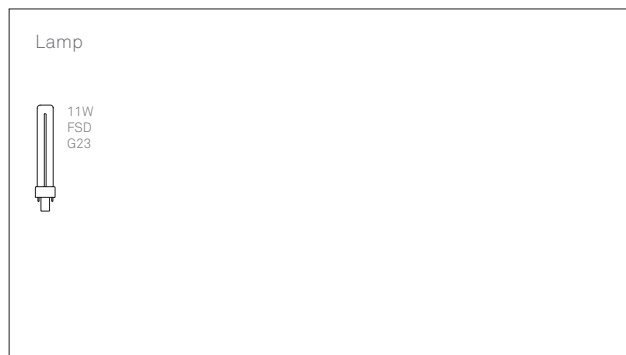
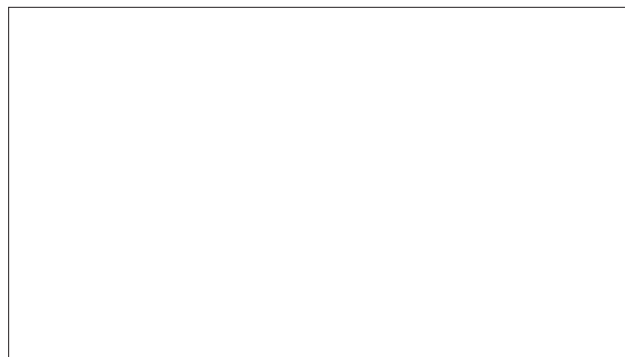
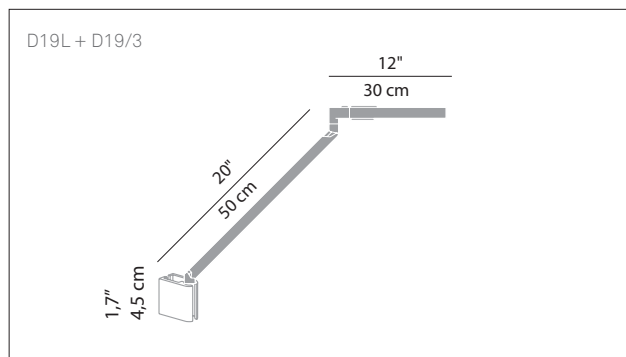


BAP

alberto meda, paolo rizzato

D19



Materials

aluminium body glass-reinforced nylon head

Structure finishes

white black

Filters

blue amber green

Note

the on and off switch, placed on the head, is flanked by a key for easy bulb replacement

