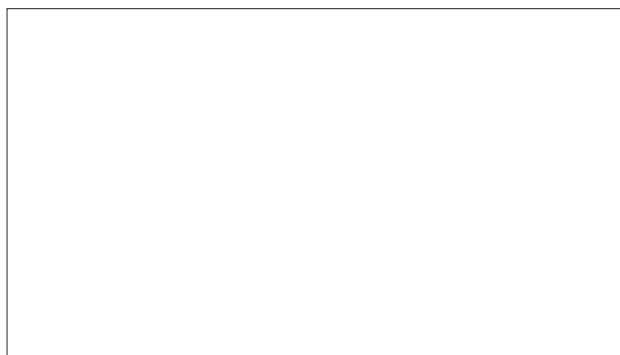
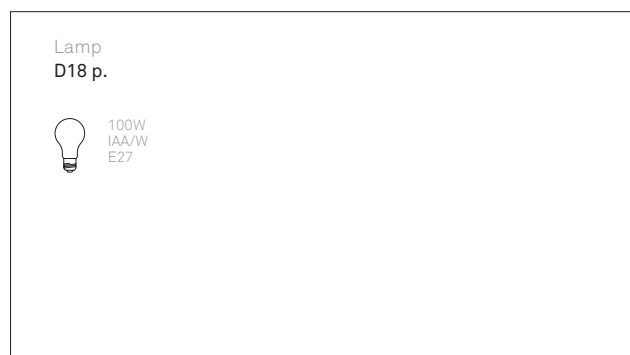
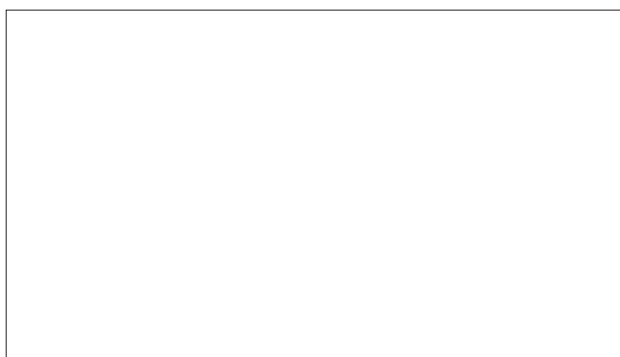
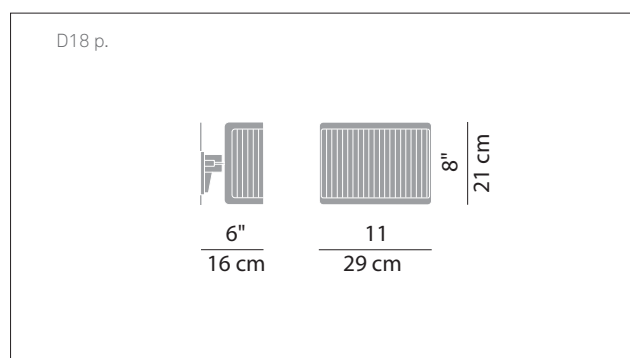


SCREEN

alberto meda, paolo rizzato

D18



Materials
polycarbonate support injection-moulded methacrylate screen

Structure finishes
 white

Screen finishes
 white

Note

