



Færggården, Juelsminde, Denmark. Photo: Kurt Norregaard

Weblink
1375

Design
Arne Jacobsen

Concept
AJ Royal is state-of-the-art. Hemispherical fixture housing. Soft upright emitted through stepped ring louvres moulded to fit the shape of the fixture.

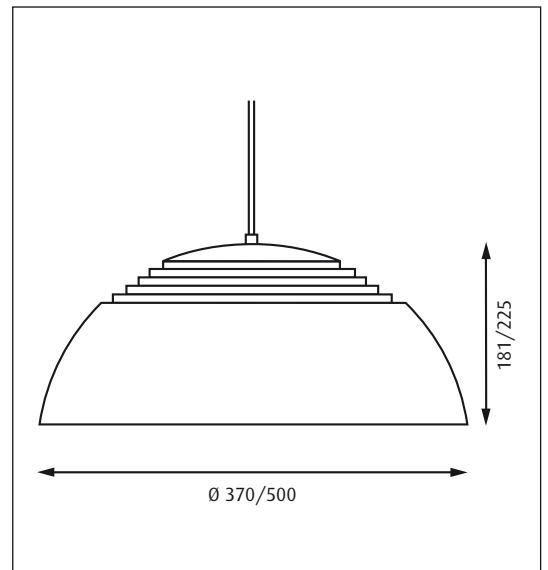
Finish
White, wet painted.

Material
Shades: Spun aluminium. Rings: Steel.

Mounting
Suspension type: Cable 3x0.75mm². Canopy: Yes. Cable length: 3m.

Weight
Max. 4kg.

Class
Ingress protection IP20. Electric shock protection I w. ground. ⚠



| Product code | Dimensions | Light source | Finish | Cable type |
|--------------|----------------|--|--------|-------------------|
| AJR-P | Ø 370 Ø 500 | 1x22W T-R5 2GX13 HF 1x55W T-R5 2GX13 HF 1x100W A60 Frosted E27 1x100W A-CS60+3x100W A60 E27 | WHT | WHT PL WHT TEX |

Variant notes:
100W A60 and 22W T-R5 only available for Ø370. 1x100W A-CS60+3x100W A60 and 55W T-R5 only available for Ø500. Incandescent versions with textile cable.

Info notes:
Converter required for 1-10V signal. Find energysaving alternative light sources on www.louispoulsen.com.



1x55W T-R5 1x22W T-R5 100W A60