



**Weblink**  
1494

**Project page**  
268

Private residence. Tokyo, Japan. Architect: Art Web House, Inc. Tokyo. Photo: Hidehiko Nagaishi

## Design

Shoichi Uchiyama

## Concept

Enigma 425 emits glarefree light of high quality. The illumination of the four shades gives a floating and sculptural character.

## Finish

Aluminium, brushed and coated. Matt coated acryl.

## Material

Cone: Brushed & lacquered aluminium. Wire: Stainless steel. Shades: Matt coated acryl. Pendant tube: Extruded brushed aluminium.

## Mounting

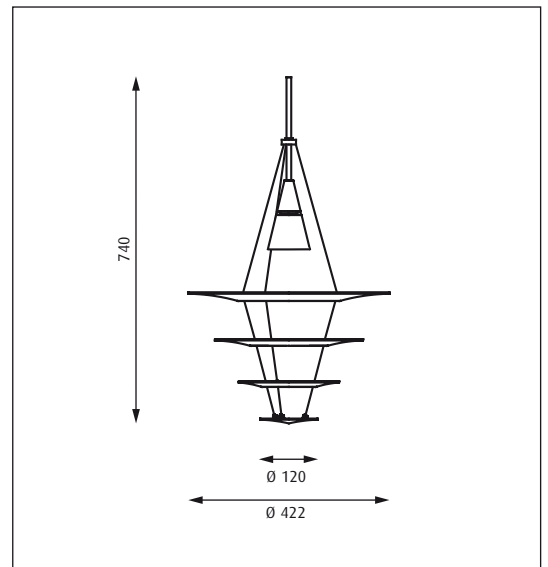
Suspension type: Cable 2x0.75mm<sup>2</sup>. Canopy: Yes. Cable length: 3m.

## Weight

Max. 1kg.

## Class

Ingress protection IP20. Electric shock protection II w/o ground. ⚠



Product code	Light source	Finish	Cable type
ENIG-425-P	1x50W QR GU10	BR. ALU	TRANSP CABLE

Info notes:  
Supplied with light source.



Page 77



Page 78