



Weblink
1454

Project page
250, 252, 306, 334

Seaside Wedding Riviera. Zushi City, Japan. Specifier: Riviera Corporation Ltd. Photo: Tetsuo Ishii

Design
PLH design as

Concept
LP Charisma King provides high-ceiling spaces with general lighting. The internal reflector optic directs the major part of the light downwards. The shades control glare and filter the light at horizontal angles, creating a sparkling effect in the transparent cone.

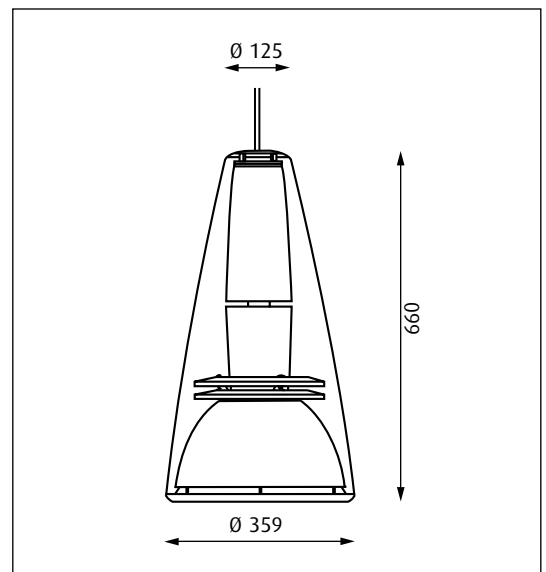
Finish
White. Grey aluminium coloured, wet painted. Clear acrylic.

Material
Cone: Injection moulded clear acrylic. Shades: Injection moulded opal polycarbonate. Reflector: Spun aluminium. Ring: Die cast aluminium. Housing: Spun aluminium. Struts: Die cast aluminium.

Mounting
Suspension type: Cable 3x0.75mm² & wire. Canopy: Yes. Cable length: 4m.

Weight
Max. 6kg.

Class
Ingress protection IP20. Electric shock protection I w. ground. ⚡



Product code	Light source	Finish	Reflector	Shade	Cable type
CHA-P	1x150W HIT G12 HF 1x150W HIT CDM-TP PGX12-2 Conv 1x70W HIT-CRI G12 HF 1x250W QT-32 Clear E27	GREY ALU COL WHITE	NARROW MEDIUM	OPAL PC	NONE WHT TEX/WIRE

Info notes:
Reflector medium beam: white inside. Reflector narrow beam: matt metallic inside.

