

pendants



Weblink
1521

Project page
254

Louis Poulsen Lighting A/S Headquarter. Copenhagen, Denmark. Architect: PLH arkitekter as. Lighting designer: Louis Poulsen Lighting A/S. Photo: Kaslov Studio

Design
PLH design as

Concept
LP Charisma - provides low and medium ceiling spaces with general lighting. The internal reflector optic directs the major part of the light downwards. The shades control glare and filter the light at horizontal angles, creating a sparkling effect in the transparent cone.

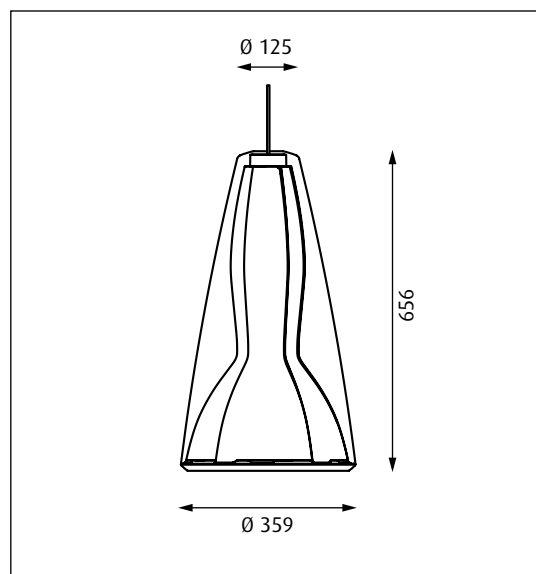
Finish
White. Grey aluminium coloured, wet painted. Clear acrylic.

Material
Cone: Injection moulded clear acrylic. Shades: Spun steel. Ring: Dark grey, die cast aluminium.

Mounting
Suspension type: Cable 3x0.75mm² & wire. Canopy: Yes. Cable length: 4m.

Weight
Max. 6kg.

Class
Ingress protection IP20. Electric shock protection I w. ground. ⚡



Product code	Light source	Finish	Dekor	Lighting control
CHA-Q-P	1x57W TC-TEL GX24q-5 HF 1x57W TC-TEL GX24q-5 HF-D 1x70W TC-TEL GX24q-6 HF	GREY ALU COL WHT	W/O STRIPE ORANGE STRIPE GREEN STRIPE	NONE DIM 1-10V

Variant notes:
HF only available with no lighting control. HF-D only available with DIM 1-10V.

