



The Solin Sauna. Åbo, Finland. Architect: Erik Bryggman/renovated by Åbo council. Photo: Matti Karjanoja

Weblink
1412

Design
Alfred Homann & Ole V. Kjær

Concept
Nyhavn Pendant creates general illumination, mainly directed downwards by the conical shade. The rings ensure that stray light is controlled and direct a small amount of light onto the topside of the shade for self-illumination.

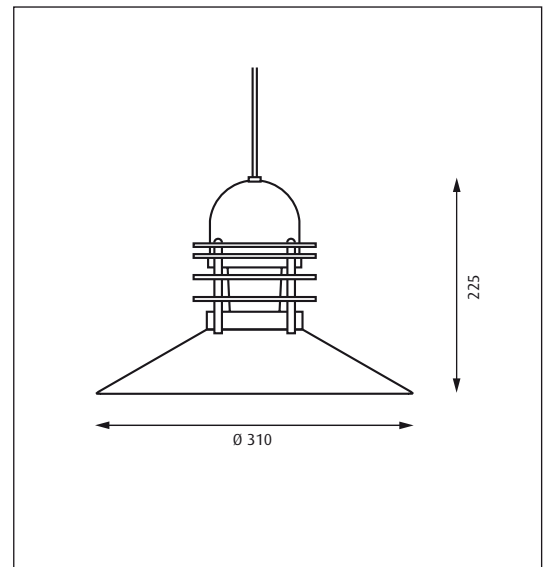
Finish
Copper, brushed and coated. White, wet painted.

Material
Shades: Spun aluminium or spun copper. Enclosure: Clear glass. Top: Spun aluminium or spun copper.

Mounting
Suspension type: Cable 3x0.75mm². Canopy: Yes. Cable length: 3m.

Weight
Max. 3.5kg.

Class
Ingress protection IP20. Electric shock protection I w. ground. ⚡



Product code	Light source	Finish	Shield/Diffuser	Cable type
NYH-P	1x100W A60 Frosted E27	COP WHT	CLEAR	BLK TEX WHT TEX

Variant notes:
Copper variant with black textile cable. White variant with white textile cable.

