



Morrell Wine Bar. New York, New York, USA. Architect: Space Design. Photo: Thomas Loof Photography

**Weblink**  
1396

**Design**  
Poul Henningsen

**Concept**  
PH 2/1 Pendant provides soft lighting. PH 2/1 is designed on the principle of a reflecting multi-shade system, producing glare-free lighting. The shade design is based on a logarithmic spiral, with the centre of the light source placed in the spiral's focal point.

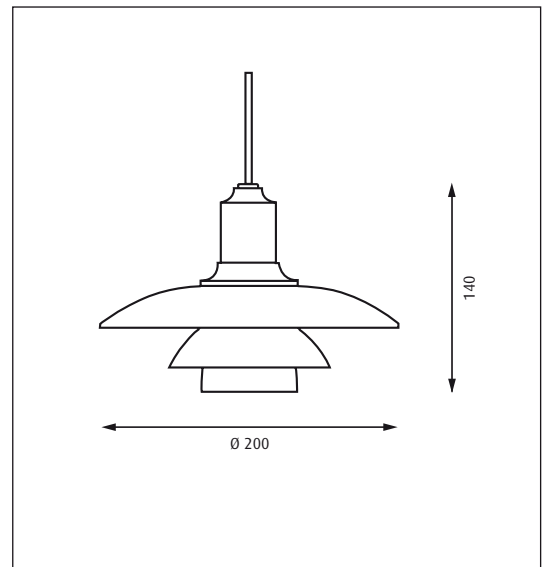
**Finish**  
White opal glass. High lustre chrome plated.

**Material**  
Shades: Mouth-blown white opal glass. Suspension: High lustre chrome plated, spun aluminium.

**Mounting**  
Suspension type: Cable 2x0.75mm<sup>2</sup>. Canopy: Yes. Cable length: 3m.

**Weight**  
Max. 1.5kg.

**Class**  
Ingress protection IP20. Electric shock protection II w/o ground. ⚠



Product code	Light source	Finish	Cable type
PH21-P	1x40W D45 Frosted E14	WHT OPAL GLASS	BLK TEX

Information:  
Find energysaving alternative light sources on [www.louispoulsen.com](http://www.louispoulsen.com).



Page 148



Page 93



Page 123