



Studio photo. Photo: Kaslov Studio

Weblink
1497

Design
Poul Henningsen

Concept
PH 2/1 Stem fitting is designed on the principle of a reflecting multi-shade system, which is based on a logarithmic spiral, with the focal point of light source placed in the spiral's centre. Glossy on the outside and sandblasted on the inside, the mouth-blown three-layer opal glass creates a soft and diffuse light.

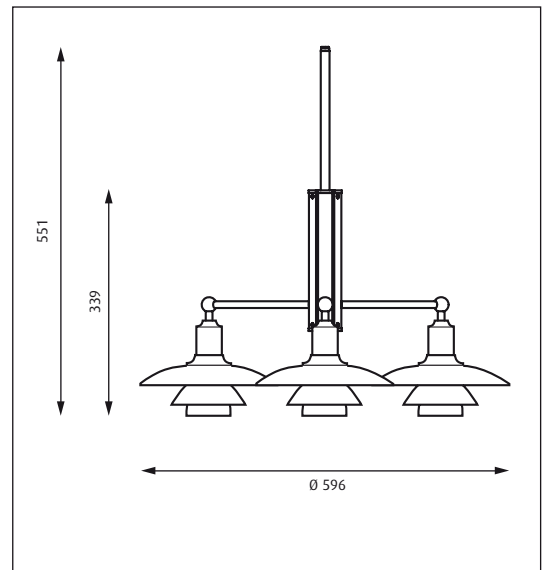
Finish
High lustre chrome plated. White opal glass.

Material
Shades: Mouth-blown white opal glass. Body: High lustre chrome plated, brass. Socket cover: High lustre chrome plated, spun aluminium.

Mounting
Suspension type: Cable 2x0.75mm². Canopy: Yes. Cable length: 3,5m.

Weight
Max. 3.5kg.

Class
Ingress protection IP20. Electric shock protection II w/o ground. ⚠



Product code	Light source	Finish	Cable type
PH21-SF-P	3x40W D45 Frosted E14	HIGH LUSTRE CHROME-PLATED	BLK TEX

Information:
Find energysaving alternative light sources on www.louispoulsen.com.

