

pendants



Studio photo. Photo: Kaslov Studio

Weblink
1404

Design
Poul Henningsen

Concept
PH 3/2 Academy provides soft general lighting. PH 3/2 Academy is designed on the principle of a reflecting multi-shade system, creating harmonious and glare-free lighting. The shade design is based on a logarithmic spiral, with the centre of the light source placed in the spiral's focal point.

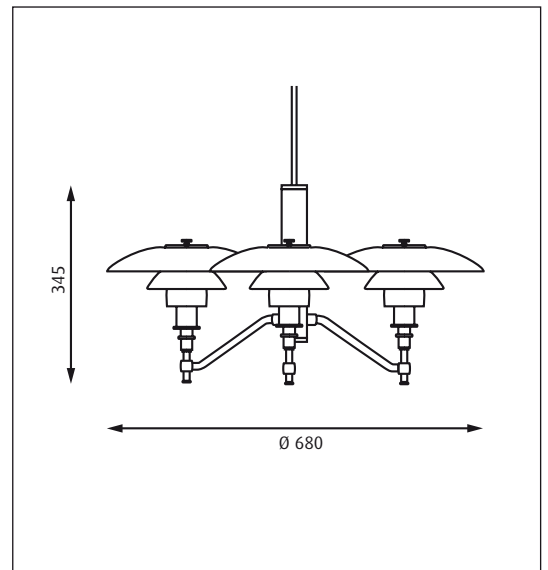
Finish
White opal glass. High lustre chrome plated.

Material
Shades: Mouth-blown white opal glass. Frame: High lustre chrome plated, extruded brass. Suspension: High lustre chrome plated, extruded brass.

Mounting
Suspension type: Cable 2x0.75mm². Canopy: Yes. Cable length: 4m.

Weight
Max. 6kg.

Class
Ingress protection IP20. Electric shock protection II w/o ground. ⚠



Product code	Light source	Finish	Cable type
PH32-AC-P	3x40W D45 Frosted E14	WHT OPAL GLASS	BLK TEX

Info notes:
Fitting carries individual security identity number. Find energysaving alternative light sources on www.louispoulsen.com.

