



Weblink
1398

2700 Colorado Building, Santa Monica, California, USA. Architect: Frederick Fischer & Partners Architects. Photo: Henry Cabala Photography

Design
Poul Henningsen

Concept
PH 4/3 Pendant primarily provides downlight. PH 4/3 is designed on the principle of a reflecting multi-shade system, creating harmonious and glare-free lighting. The shade design is based on a logarithmic spiral, with the centre of the light source placed in the spiral's focal point. The light source compartment and anti-glare shield are painted orange to emit a warm tone of light.

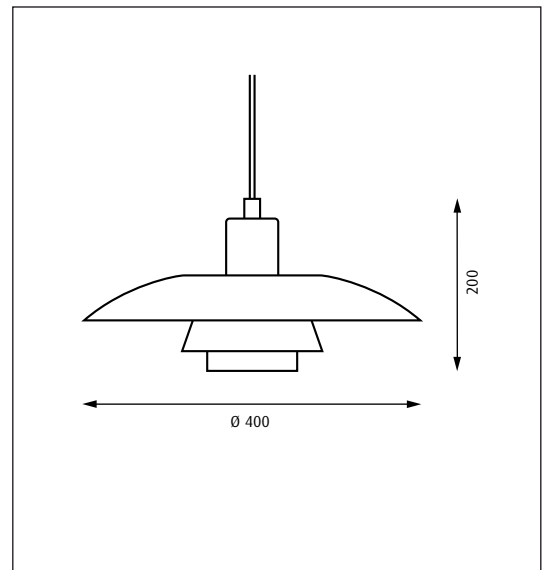
Finish
Aluminium, brushed and coated. White, wet painted.

Material
Shades: Spun aluminium. Anti-glare disc: white spun aluminium.

Mounting
Suspension type: Cable 3x0.75mm². Canopy: Yes. Cable length: 3m.

Weight
Max. 1kg.

Class
Ingress protection IP20. Electric shock protection I w. ground. ⚡



Product code	Light source	Finish	Cable type
PH43-P	1x100W A60 Frosted E27	BR. ALU WHT	BLK TEX WHT TEX

Variant notes:
White version supplied with white textile cable. Aluminium version supplied with black textile cable. White version supplied with orange anti-glare disc. Aluminium version supplied with white anti-glare disc.

Info notes:
Find energysaving alternative light sources on www.louis Poulsen.com.



White



Aluminum



Page 126