



Weblink
1376

Project page
266, 272, 328, 376
University of Colorado Health Science Center - Research Complex 1, Aurora, Colorado, USA. Architect: Fentress Bradburn Architects. Engineer: M-E Engineers, Inc. Lighting designer: Illume. Photo: Image Design

Design
Ebbe Christensen & Sophus Frandsen, Poul Henningsen

Concept
PH 6½-6 and PH 5-4½ are luminaires, able to provide uniform and glare-free lighting. The shade design creates indirect light for both horizontal and vertical surfaces in a space. An adjustable dark blue anti-glare ring screens glare from the neck of the fixture.

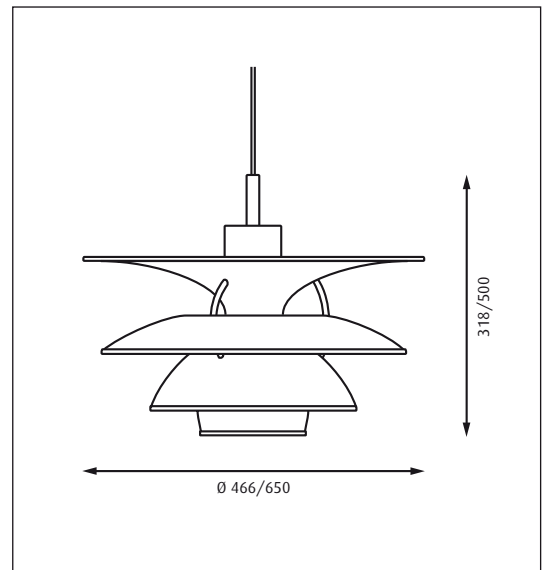
Finish
White, wet painted.

Material
Shades: Spun aluminium. Anti-glare disc: Blue, spun aluminium. Struts: Matt chrome-plated, rolled aluminium.

Mounting
Suspension type: Cable 3x0.75mm² or cable 3x0.75mm² & wire. Canopy: Yes. Cable length: PH 5-4½: 3m, PH 6½-6: 4m.

Weight
Max. 6kg.

Class
Ingress protection IP20. Electric shock protection I w. ground. ⚡



Product code	Dimensions	Light source	Finish	Cable type
PHC-P	5-4½ 6½-6	1x70W HIT G12 HF 1x150W HIT G12 HF 1x200W A80 Clear E27 1x500W A110 Clear E40	WHT	WHT TEX WHT TEX/WIRE

Variant notes:
200W A80 only available for PH 5-4½. 500W A110. 70W HIT and 150W HIT only available for PH 6½-6.
PH 5-4½ fitted with 3m cable. PH 6½-6 fitted with 4m cable and wire.

Information:
Find energysaving alternative light sources on www.louispoulsen.com.

