



Weblink
1402

Project page Chapman University Library, Orange, California, USA. Architect: AC Martin Partners. Lighting designer: Francis Krahe & Associates Inc. Photo: Frank Domin

Design
Poul Henningsen

Concept
PH Snowball is a glare-free luminaire. The geometry of the PH Snowball ensures that all the illuminated surfaces of the shades are hit by light rays at the same angle, creating optimum, even lighting performance.

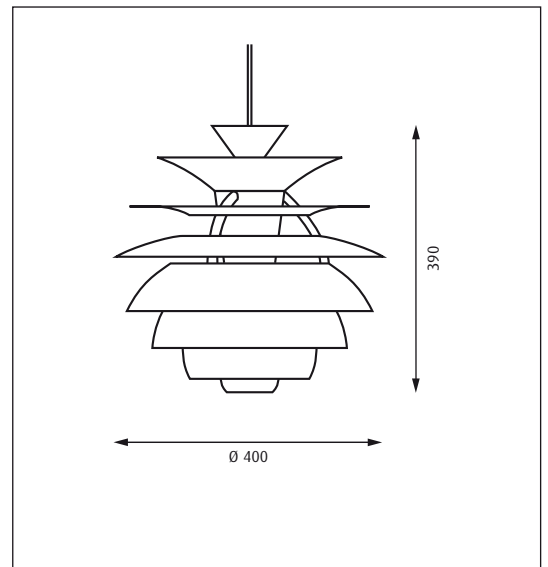
Finish
White, wet painted.

Material
Shades: Spun aluminium. Frame: High lustre chrome plated, die cast aluminium. Housing: High lustre chrome plated, spun aluminium.

Mounting
Suspension type: Cable 3x0.75mm². Canopy: Yes. Cable length: 3m.

Weight
Max. 2.5kg.

Class
Ingress protection IP20. Electric shock protection I w. ground. ⚡



| Product code | Light source | Finish | Cable type |
|--------------|----------------------|--------|------------|
| PHS-P | 1x300W A80 Clear E27 | WHT | WHT TEX |

Information:
Fitting calorimeter up to 300W – but the light source is not current on the market. Find energysaving alternative light sources on www.louispoulsen.com.

