

Private residence. Aichthal, Germany. Architect: Prof. Hans Klumpp & Julia Klumpp. Photo: Günther Lehnert

**Weblink**  
1483

**Design**  
Poul Henningsen

**Concept**  
PH 3½-2½ Floor provides soft lighting. PH 3/2 family is designed on the principle of a reflecting multi-shade system, creating harmonious and glare-free lighting. The shade design is based on a logarithmic spiral, with the centre of the light source placed in the spiral's focal point.

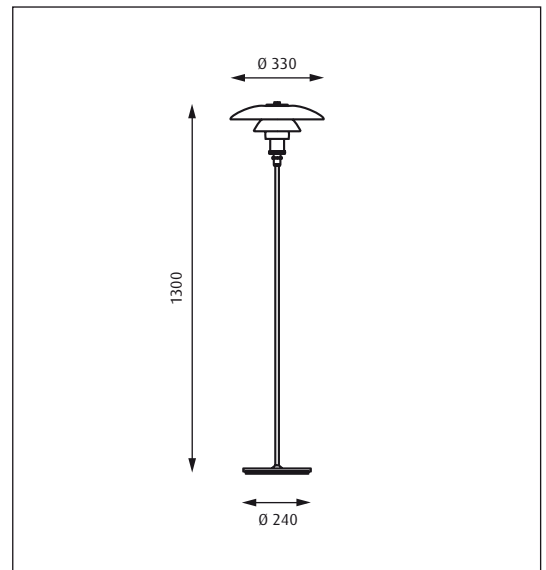
**Finish**  
White opal glass. High lustre chrome plated.

**Material**  
Shades: Mouth-blown white opal glass. Top plate: High lustre chrome plated, spun brass. Base: High lustre chrome plated, spun brass. Stem: High lustre chrome plated, steel.

**Mounting**  
Cable type: Vinyl cord with plug. Cable length: 2.5m. Light control: Foot switch on cord.

**Weight**  
Max. 7.5kg.

**Class**  
Ingress protection IP20. Electric shock protection II w/o ground. ⚠



Product code	Light source	Finish
PH32-F	1x100W A60 Frosted E27	WHT OPAL GLASS

Info notes:  
Find energysaving alternative light sources on [www.louispoulsen.com](http://www.louispoulsen.com).



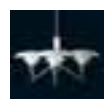
Page 149



Page 124



Page 95



Page 94