



Weblink
2587

Design
Arne Jacobsen

Concept
The fixture emits a direct and directional light. The asymmetrical shade determines the light characteristics of the fixture. The shade is white painted on the inside and hence emits a pleasant and diffuse light.

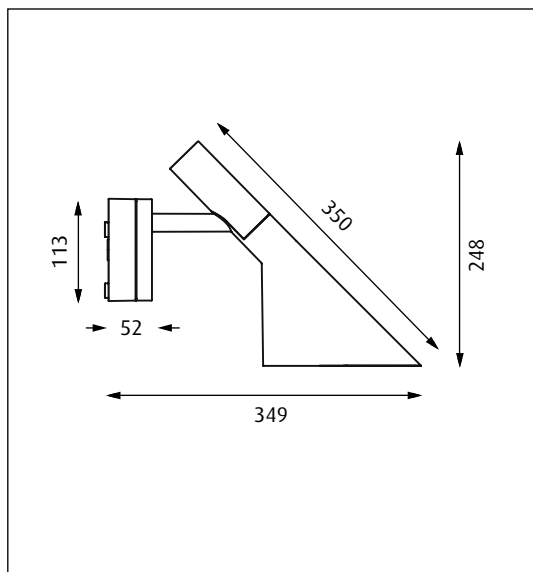
Finish
Black Textured or white. Aluminium coloured with textured surface, powder coated.

Material
Shade: Die cast aluminium. Wall box: Die cast aluminium. Arm: Die cast aluminium.

Mounting
Terminal block: 1x3x2.5mm². Cable entries: 2x bottom + 3x rear entries for Ø 10-14.5mm cable. Looping: Approved, max. 3x1,5mm².

Weight
Max. 2kg.

Class
Ingress protection IP65. Electric shock protection I w. ground.



Prefix	Light source	Finish
AJ-50-W	1x8W LED	ALU COL TEXT WHT BLK TEXT

