



Bindernæs, Rødby, Denmark. Photo: Kurt Norregaard

Weblink
1410

Design
Alfred Homann

Concept
Homann M2 emits asymmetrical and direct downlight. The quarter globe is raised from the backplate, allowing light to pass through and reveal the luminaire form when illuminated.

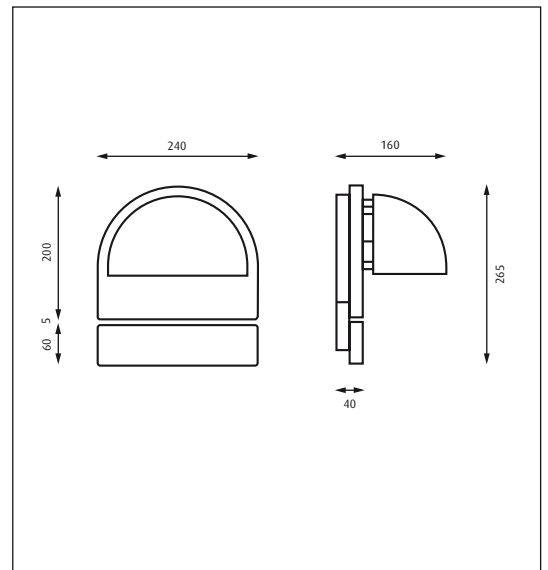
Finish
Aluminium coloured with textured surface or white, powder coated.

Material
Space shield: Injection moulded clear polycarbonate. Shade: Die cast aluminium. Back plate: Die cast aluminium.

Mounting
Terminal block: 1x3x2.5mm². Cable entries: 3x rear and 3 knock outs in bottom for Ø 10-14.5mm cable. Looping: Approved, max. 3x1,5mm².

Weight
Max. 2kg.

Class
Ingress protection IP23. Electric shock protection I w. ground. ⚡



Product code	Light source	Finish
HOM2-W	1x10W TC-D G24d-1 Conv. 1x10W TC-DEL G24q-1 HF	ALU COL TEXT WHT

Info notes:
The fixture can be fitted with one or several name plates, one beneath the other.

