



Louis Poulsen US Headquarters. Ft. Lauderdale, Florida, USA. Lighting designer: Louis Poulsen Lighting. Photo: Terry Renna

**Weblink**  
1510

**Design**  
Mads Odgård

**Concept**  
Icon Mini Basic Wall effectively provides full cut-off street lighting with 0% light distribution above horizontal level. The clear, simplistic design is intentional, since Icon is designed for use in numbers. Combines two geometric forms: a cylinder and a hemisphere. Numerous light source positions in the reflector solution make both symmetrical and asymmetrical light distribution possible.

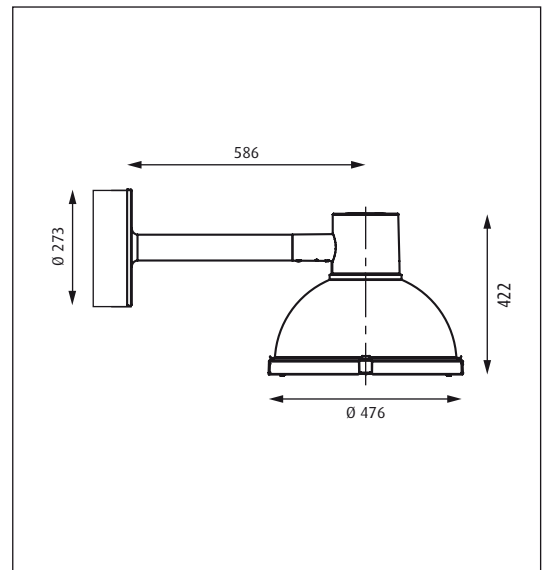
**Finish**  
Aluminium coloured with textured surface, powder coated.

**Material**  
Shade: Grey, high pressure moulded ASA. Reflector: Metallised, high pressure moulded polycarbonate. Diffuser: Toughened clear glass. Housing: Die cast aluminium. Arm: Galvanised, steel.

**Mounting**  
Fitting/pipe stub dimensions: Ø 48mm. Cable length: 9m. Terminal block: 1x3x2.5mm<sup>2</sup>. Terminal block positioning: In fixture head. Looping: Approved, max. 3x1,5mm<sup>2</sup>. Ballast positioning: In fixture head.

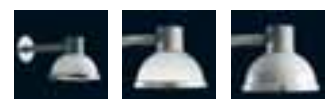
**Weight**  
Max. 9.5kg.

**Class**  
Ingress protection IP66. Electric shock protection I w. ground, II w/o ground. ⚡



Product code	Light source	Finish	Class
ICO-BA-W	1x26W/32W/42W TC-TEL HF 1x57W TC-TEL GX24q-5 HF 1x70W HIE/HIT E27 Conv. 1x100W HIE/HIT E40 Conv.	ALU COL TEXT	I II

Info notes:  
Can on request be delivered with bottom glass in clear, serigraphed or matt glass. Wall arm to be ordered separately. To achieve optimum asymmetrical light distribution, tubular light sources (HIT) are recommended.



Page 140

Page 185

Page 184