



**Weblink**  
1449

**Project page**  
330

The Shoppes at Seaside Farms, Mt. Pleasant, South Carolina, USA. Architect: LS3P Associate Ltd. Electrical engineer: DWG Inc. Photo: Terry Renna

**Design**  
Alfred Homann


**Concept**  
Kipp Wall emits symmetrical downlight. The angling of the inner diffuser together with the slightly curved design of the top shade ensures a wide and uniform distribution of the light. The internal diffuser furthermore provides optimum and glare-free lighting.

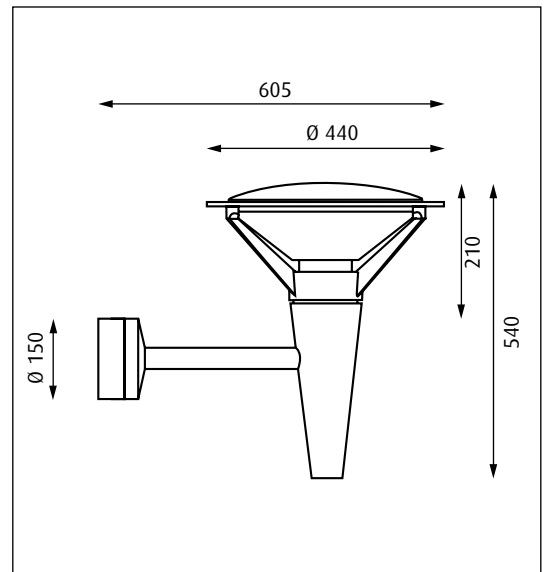
**Finish**  
Aluminium coloured with textured surface or grey, powder coated.

**Material**  
Diffuser: Injection moulded white opal acrylic. Top shade: Die cast aluminium. Enclosure: Injection moulded clear polycarbonate. Frame: Die cast aluminium. Wall box: Die cast aluminium. Arm: Extruded aluminium.

**Mounting**  
Terminal block: 1x3x2.5mm<sup>2</sup>. Cable entries: 2x rear and 2x bottom entries, Ø 20mm. Looping: Approved, max. 3x1,5mm<sup>2</sup>.

**Weight**  
Max. 7.5kg.

**Class**  
Ingress protection IP55. Electric shock protection I w. ground. Vandal Proof II. 



Product code	Light source	Finish	Class
KIP-W	1x26/32W TC-TEL GX24q-3 HF 1x35W HIT-CRI G12 HF 1x32W LED	ALU COL TEXT GREY	I

Info notes:  
The control gear is placed in the cone shaped housing.

