

Weblink
1450

Project page
372, 376

Hilton Sandestin Beach Golf Resort & Spa, Pensacola, Florida, USA. Architect: Dougherty & Chavez Architects. Electrical engineer: Davis, Bagwell & Yates Consulting Engineers. Photo: Image Photography of Destin

Design
Alfred Homann & Ole V. Kjær

Concept
Nyhavn Wall creates general lighting, mainly directed downwards by the conical shade. The horizontal reflector rings direct a small amount of light onto the topside of the shade for self-illumination.

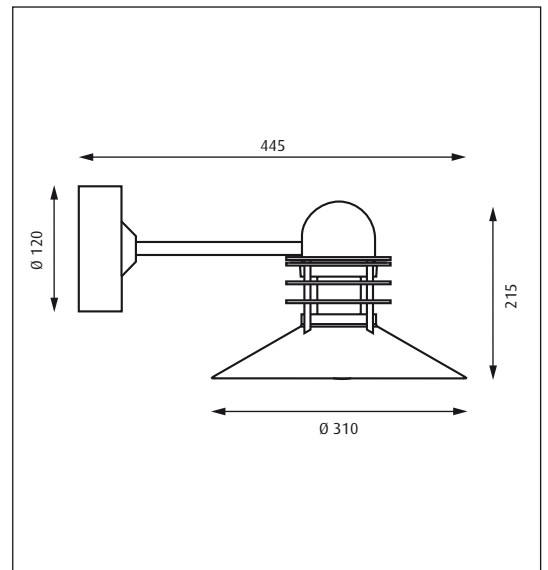
Finish
Copper, brushed. White, wet painted.

Material
Shades: Spun aluminium or spun copper. Enclosure: Clear glass or partly frosted glass. Top: Spun aluminium or spun copper. Wall box: Die cast aluminium. Wall box cover: Spun aluminium or spun copper. Arm: Copper plated, red brass or steel.

Mounting
Terminal block: 1x3x2.5mm². Cable entries: 2x bottom + 3x rear entries for Ø 10-14.5mm cable. Looping: Approved, max. 3x1,5mm².

Weight
Max. 4.5kg.

Class
Ingress protection IP44. Electric shock protection I w. ground. ⚡



Product code	Light source	Finish	Class	Shield/Diffuser
NYH-W	1x10W TC-DEL G24q-1 HF 1x100W A60 Frosted E27	BRUSH COP WHT	I	CLEAR PART FROSTED

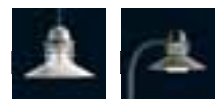
Variant notes:
Incandescent version only available with clear glass. TC-DEL version only available with partly frosted glass.

Info notes:
The control gear is placed in the fixture head. Please note that the copper versions are untreated in order to achieve a verdigris finish during time. This can result in an inconsistent surface finish prior to the product achieving full patina.



TC-DEL

A60



Page 88

Page 190