



Weblink
1430

Design
Poul Henningsen

Concept
PH 3/2 Wall provides soft, general lighting. PH 3/2 is designed on the principle of a reflecting multi-shade system, creating harmonious and glare-free lighting. The shade design is based on a logarithmic spiral, with the centre of the light source placed in the spiral's focal point.

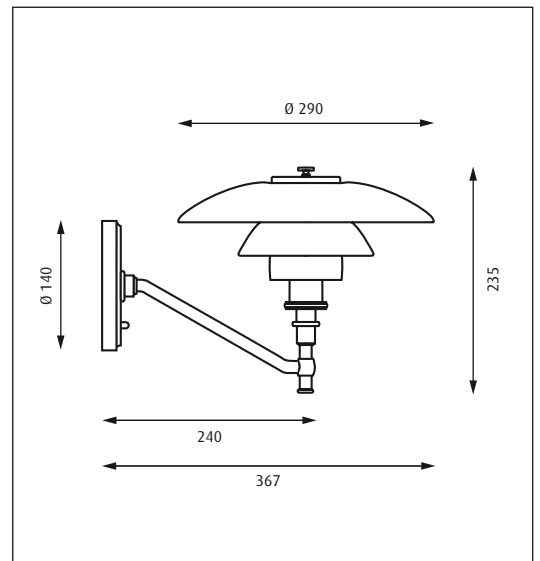
Finish
White opal glass. High lustre chrome plated.

Material
Shades: Mouth-blown white opal glass. Top plate: High lustre chrome plated, spun brass. Wall box: High lustre chrome plated, spun brass. Arm: High lustre chrome plated, brass.

Mounting
Cable length: 2.9m. Light control: Switch in wallbox.

Weight
Max. 2.5kg.

Class
Ingress protection IP20. Electric shock protection II w/o ground. ⚠



Product code	Light source	Finish
PH32-W	1x40W D45 Frosted E14	WHT OPAL GLASS

Info notes:
Find energysaving alternative light sources on www.louispoulsen.com.



Page 95



Page 94



Page 125



Page 124