

wall



A.C. Perch's. Tokyo, Japan. Design: Millie Okada. Photo: Shinji Aratani

**Weblink**  
1516

**Design**  
Poul Henningsen

**Concept**  
PH 3-2½ Wall provides mainly downlight. PH 3-2½ Wall is designed on the principle of a reflecting multi-shade system creating harmonious and glare-free lighting. The shade design is based on a logarithmic spiral, with the centre of the light source placed in the spiral's focal point.

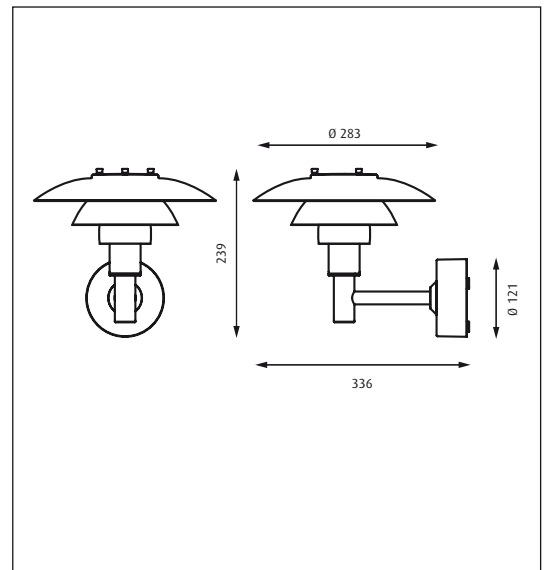
**Finish**  
Copper plated, brushed. Black, powder coated.

**Material**  
Top shade: Spun stainless steel or spun untreated copper. Middle/lower shade: Spun stainless steel. Shadeholder: Form pressed glass. Wall box: Die cast aluminium. Wall box cover: Spun aluminium or copper. Arm: Stainless steel.

**Mounting**  
Terminal block: 1x3x2.5mm<sup>2</sup>. Cable entries: 2x bottom + 3x rear entries for Ø 10-14.5mm cable. Looping: Approved, max. 3x1,5mm<sup>2</sup>.

**Weight**  
Max. 2.5kg.

**Class**  
Ingress protection IP44. Electric shock protection I w. ground. ⚠



| Product code | Light source          | Finish                   |
|--------------|-----------------------|--------------------------|
| PH32.5-W     | 1x60W A60 Frosted E27 | BLK<br>COP PLATED, BRUSH |

Info notes:  
Please note that the copper surface is untreated in order to achieve a verdigris finish during time. This can result in an inconsistent surface finish prior to the product achieving full patina. This process might have begun already during stocking/transportation. Fitting carries individual security identity number. Find energysaving alternative light sources on [www.louispoulsen.com](http://www.louispoulsen.com).

