

Weblink
1419

Project page
332

Salem College, Überlingen, Bodensee, Germany. Architect: Arno Lederer, Jörunn Ragnarsdóttir and Marc Oel. Photo: Boris Miklautsch

Design

Poul Henningsen

Concept

PH Hat provides soft, indirect lighting. The hemispherical shade can be tilted from 0° to 67°. The inside of the globe is pale rose, providing a warm tone of light.

Finish

White, wet painted.

Material

Shade: Spun steel. Wall box: Spun steel.

Mounting

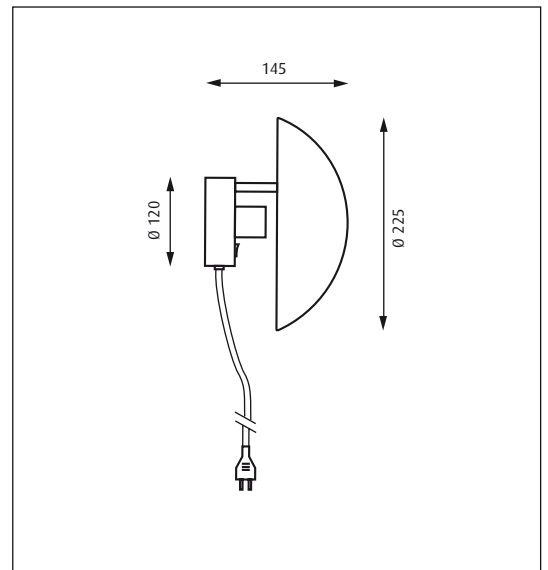
Cable length: 2.4m. Light control: Switch in wallbox.

Weight

Max. 2kg.

Class

Ingress protection IP20. Electric shock protection II w/o ground. ⚠



Product code	Dimensions	Light source	Finish	Class
PHH-W	Ø 225	1x40W D45 Frosted E14	WHT	II

Info notes:
Find energysaving alternative light sources on www.louispoulsen.com.

