

wall



Weblink
1420

Henne Molle Å Badehotel. Henne Molle Å, Denmark. Architect: Poul Henningsen. Lighting designer: Louis Poulsen Lighting A/S. Photo: Kaslov Studio

Design

Poul Henningsen

Concept

PH Wall (introduced 1966) provides mainly downlight. PH Wall is designed on the principle of a reflecting multi-shade system creating harmonious and glare-free lighting. The shade design is based on a logarithmic spiral, with the centre of the light source placed in the spiral's focal point.

Finish

Copper, brushed.

Material

Shades: Spun copper. Wall box: Copper plated, spun brass. Arm: Copper plated, brass.

Mounting

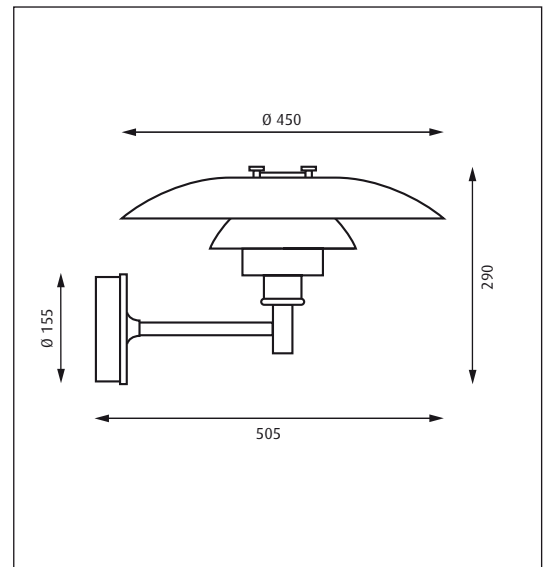
Terminal block: 1x3x2.5mm². Cable entries: 2x bottom + 2x rear entries for Ø 10-14.5mm cable. Looping: Approved, max. 3x1,5mm².

Weight

Max. 6kg.

Class

Ingress protection IP23. Electric shock protection I w. ground, II w/o ground. ⚠



Product code	Light source	Finish	Class
PH-W	1x100W A60 Frosted E27	BRUSH COP	I

Info notes:

Please note that the copper surface is untreated in order to achieve a verdigris finish during time. This can result in an inconsistent surface finish prior to the product achieving full patina. This process might have begun already during stocking/transportation. Fitting carries individual security identity number. Find energysaving alternative light sources on www.louispoulsen.com.

