



Church Nürtingen. Nürtingen, Germany. Architect: Graner. Photo: Günther Lehnert

Weblink
1423

Design
Joachim Lepper

Concept
Saturn Wall Micro emits sparkling light. A particular pattern is created on the wall, which makes it highly suitable for accent lighting. The anti-glare rings shield the light sources from view and the Saturn ring reflects the light into the space for general lighting.

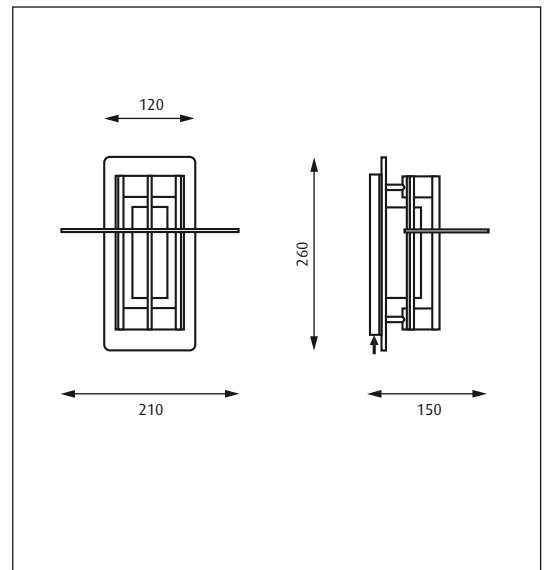
Finish
White, powder coated.

Material
Saturn ring: Punched steel. Anti-glare rings: Form pressed steel. Back plate: Punched steel.

Mounting
Terminal block: 1x3x2.5mm². Cable entries: 2x rear entries Ø 14mm and 1x bottom Ø 7mm. Looping: Approved, max. 3x1,5mm². Ballast positioning: In wall box.

Weight
Max. 2kg.

Class
Ingress protection IP20. Electric shock protection I w. ground. ⚠



Product code	Light source	Finish
SAT-MI-W	2x20W QT tr-9 Clear G4	WHT

Info notes:
Supplied with transformer.

