



Weblink
1422

Hoag Hospital - Sue & Bill Gross Women's Pavilion, Newport Beach, California, USA. Architect: Taylor + Associates Architects. Engineer: RE Wall & Associates, Inc. Lighting designer: Francis Krahe & Associates Inc. Photo: Henry Cabala Photography

Design

Joachim Lepper

Concept

Saturn Wall provides general as well as accent lighting. The anti-glare rings on the Saturn Wall shield the light sources from view, and the Saturn ring reflects the light into the space. Saturn Wall Opal emits diffuse light for general lighting.

Finish

White, powder coated.

Material

Diffuser: Injection moulded opal polycarbonate. Saturn ring: Punched steel. Anti-glare rings: Form pressed steel. Back plate: Punched steel.

Mounting

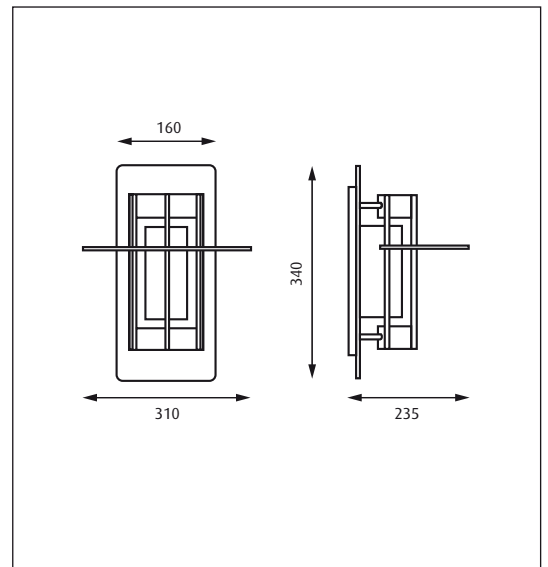
Terminal block: 1x3x2.5mm². Cable entries: 2x rear + 2x top entries, Ø 19mm. Looping: Approved, max. 3x1,5mm². Ballast positioning: In wall box.

Weight

Max. 4.5kg.

Class

Ingress protection IP20. Electric shock protection I w. ground. ⚠



Product code	Light source	Finish	Shield/Diffuser
SAT-W	1x26W TC-DEL G24q-3 HF 2x100W A60 Clear E27	WHT	NONE OPAL

Variant notes:

Opal diffuser only available for 1x26W TC-DEL.



1x26W TC-
DEL



2x100W
A60



1x26W TC-
DEL



Page 155