



**Weblink**  
1529

Louis Poulsen Lighting A/S Factory, Vejen, Denmark. Architect: Bjarne Frost. Lighting designer: Louis Poulsen Lighting A/S. Photo: Kaslov Studio

**Design**  
Alfred Homann

**Concept**  
AH System Micro creates distinct and sparkling illumination. The design ensures that the majority of the light is directed downward. The opal glass ring ensures that the light is diffused and provides the space and the ceiling with a soft ambience of light.

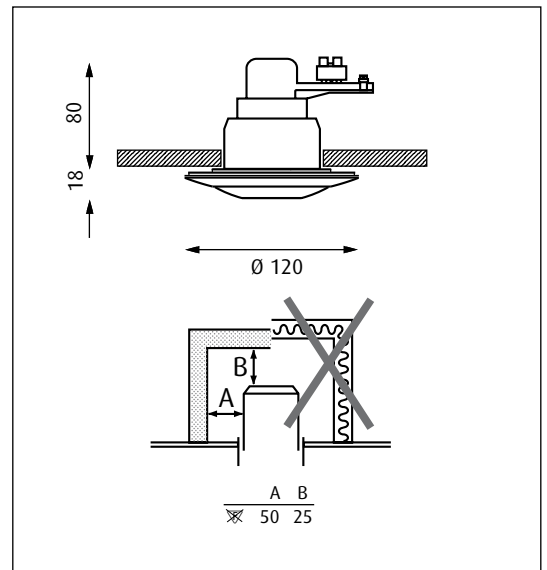
**Finish**  
Polished aluminium. Satinised aluminium, wet painted. White opal glass.

**Material**  
Glass: White opal glass. Trim ring: Die cast aluminium.

**Mounting**  
Ceiling thickness: 5-32mm. Ceiling Cut-Out: Ø 70mm. Terminal block: 1x2x4mm<sup>2</sup>. Looping: Not approved. Ballast: Supplied without transformer.

**Weight**  
Max. 0.5kg.

**Class**  
Ingress protection IP20. Electric shock protection III low voltage. ⚡



Product code	Light source	Finish
AHS-MI-C	1x35W QT ax-12 Frosted GY6,35	POLISH ALU SATINISED ALU

**Info notes:**  
Supplied with light source and without transformer. The fitting is also approved for 50W, but then the fixture is not approved for mounting directly on flammable material.

